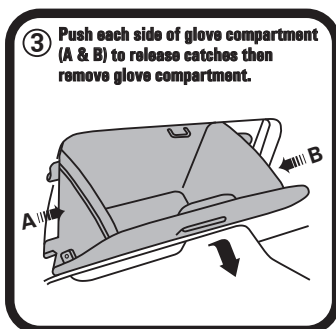
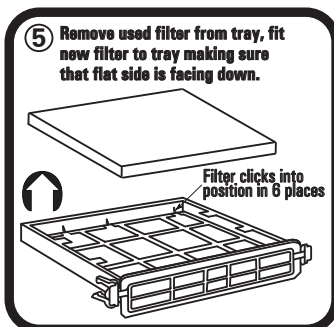
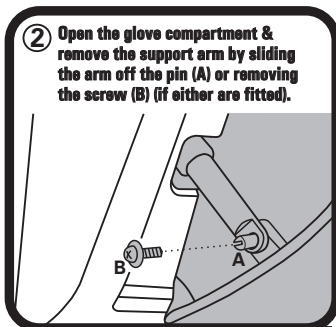
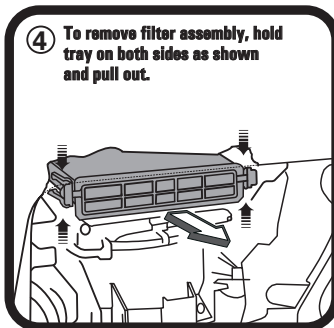


RYCO FILTERS



FITTING INSTRUCTIONS FOR RYCO CABIN FILTER RCA140P/MS

TOYOTA ECHO & RAV4 Filter is located behind glove box

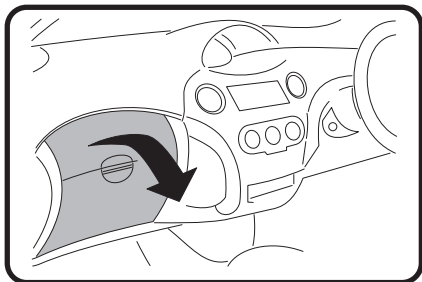


RYCO Group Pty Ltd
29 Taras Ave Altona
North Victoria 3025
Australia
www.rycofilters.com.au

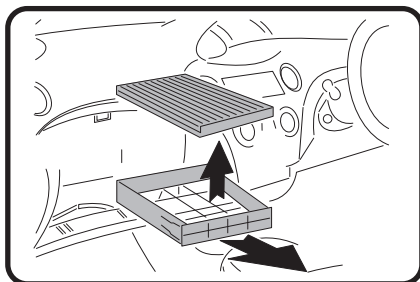
RYCO Group- A division of
GUD (NZ) Holdings Limited.
19 Bell Avenue, Otahuhu,
Auckland 1060, New Zealand
www.ryco.co.nz

FITTING INSTRUCTIONS FOR RYCO CABIN FILTER RCA140P/MS

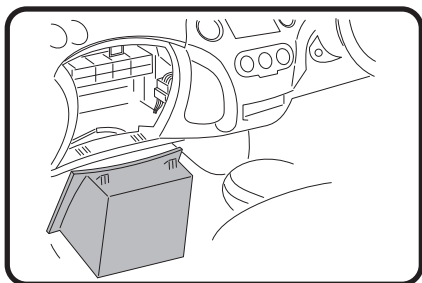
TOYOTA YARIS (Filter located behind glove box)



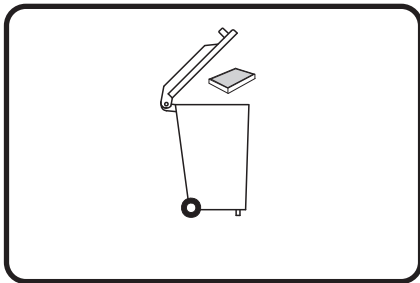
1: Open glovebox, apply pressure to both sides of glovebox to release catches.



3: Remove used filter from tray. Fit new Ryco filter, refit all previously removed components.



2: Open glovebox as far as possible and remove.



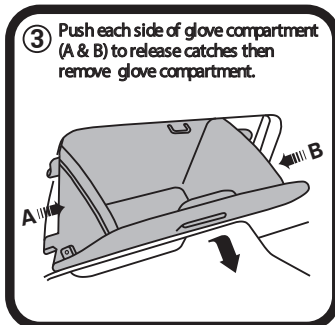
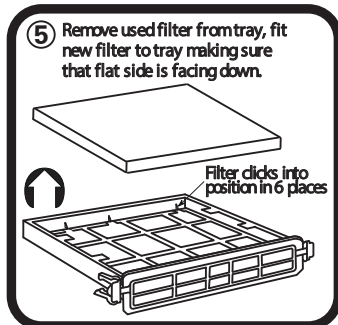
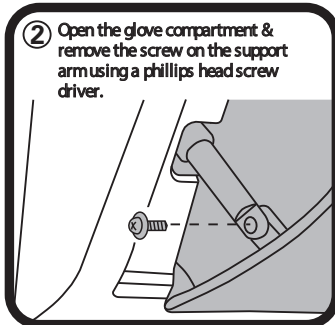
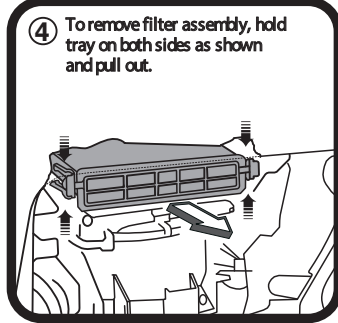
4: Dispose of used filter correctly.

RYCO FILTERS



FITTING INSTRUCTIONS FOR RYCO CABIN FILTER RCA140P/MS TOYOTA COROLLA

(Filter is located behind glove box)



Ryco Group Pty Ltd
29 Taras Ave, Altona North
Victoria 3025 Australia.
www.rycofilters.com.au

Ryco Group
A Division of GUD NZ Holdings Ltd
626A Rosebank Road, Avondale
Auckland New Zealand
www.ryco.co.nz