

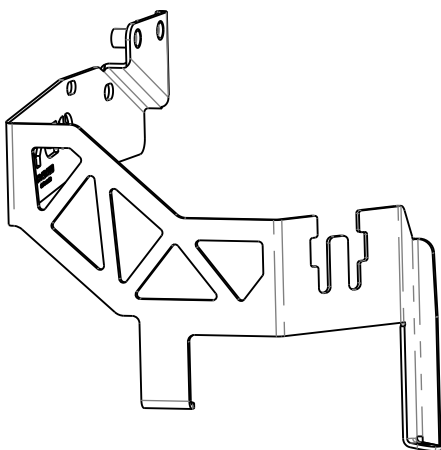
X100R FUEL WATER SEPARATOR / CATCHCAN FITMENT INSTRUCTIONS

TOYOTA HILUX KUN26 - See RYCO catalogue for specific application details.

The Ryco X100R kit includes mounting bracket specifically designed for the vehicle, and all components required to complete the installation of Ryco Z980SK16 series fuel water separator and RCC351 series catchcan. It is recommended that the installation is conducted by a qualified mechanic following the procedures in this instruction sheet.



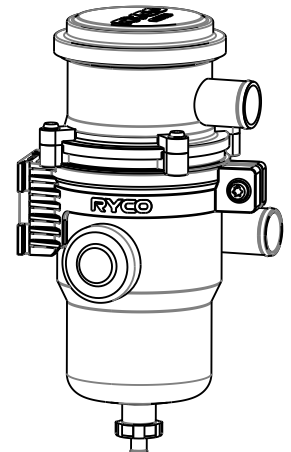
SECTION 1
METAL BRACKET



SECTION 2
FUEL WATER SEPARATOR

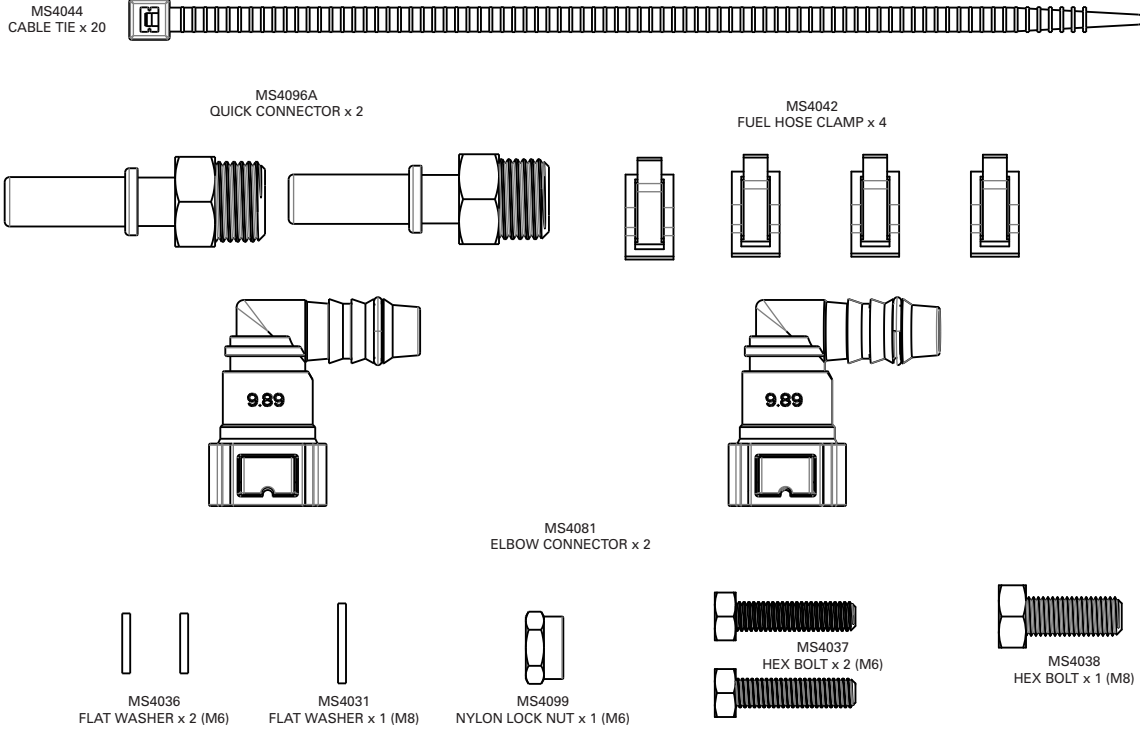


SECTION 3
CATCHCAN

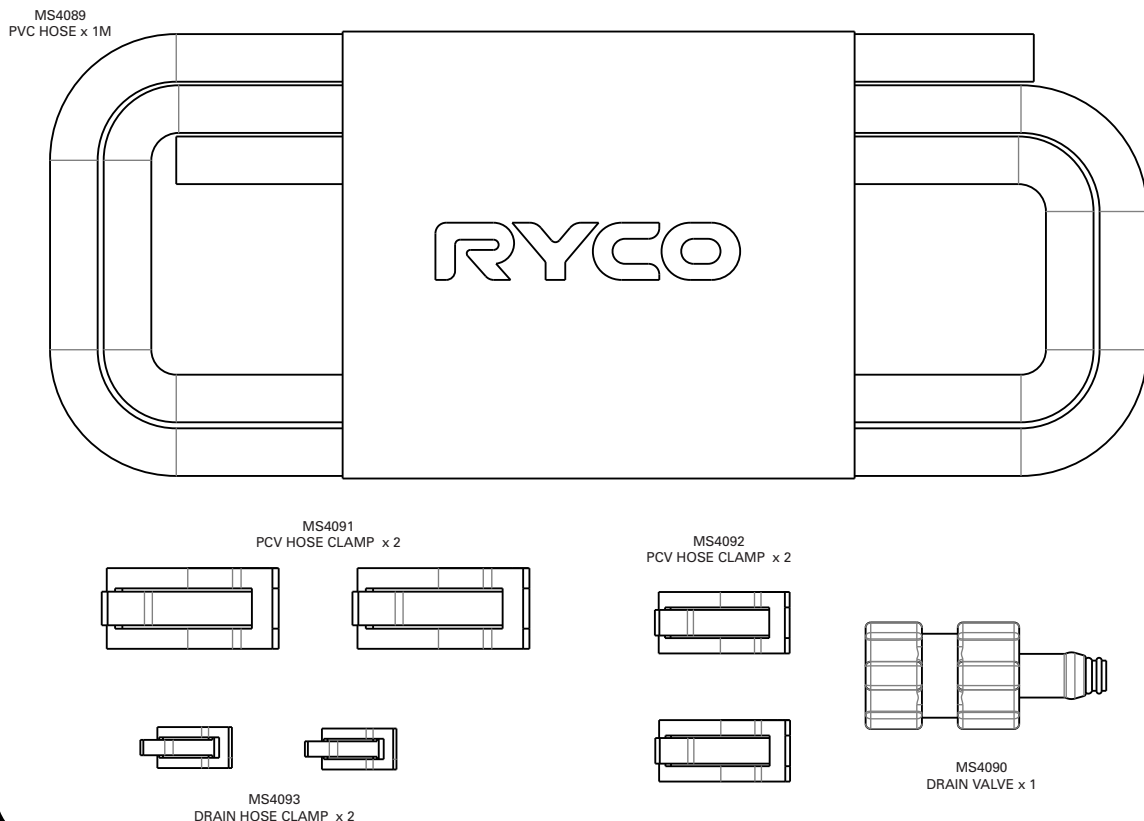


COMPONENTS INCLUDED IN X100R KIT

X100R PARTS LIST - BRACKET / FUEL FILTER COMPONENTS BOX



X100R PARTS LIST - CRANKCASE VENT. FILTER COMPONENTS BOX

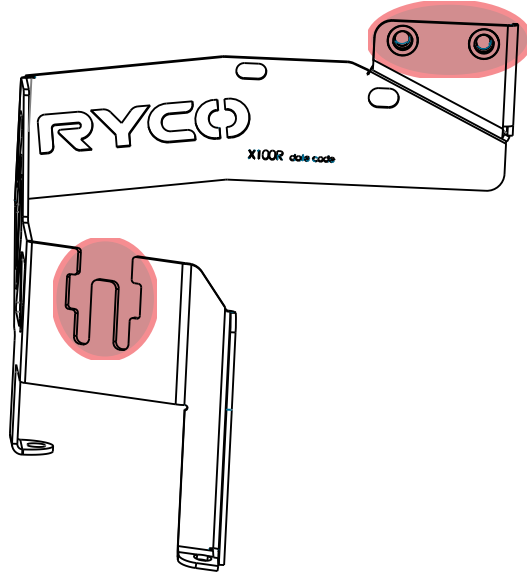


COMPONENTS INCLUDED IN X100R KIT

PARTS LIST - BRACKET, FUEL FILTER & CATCHCAN COMPONENTS

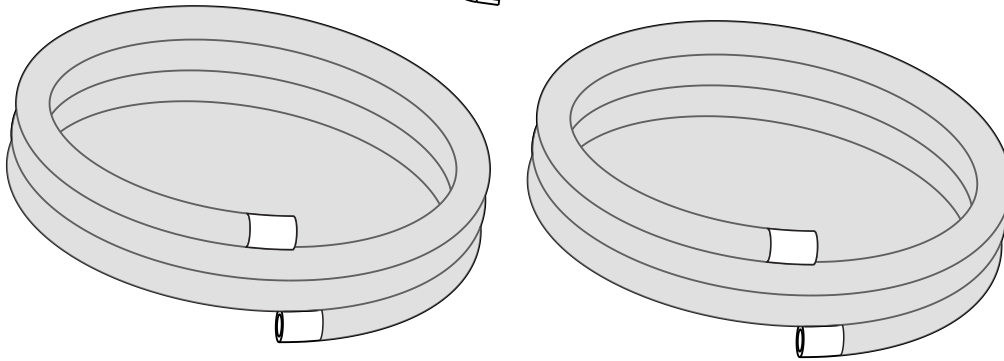
FB9800C
MOUNTING BRACKET x 1

**CATCHCAN
MOUNTING POSITION**

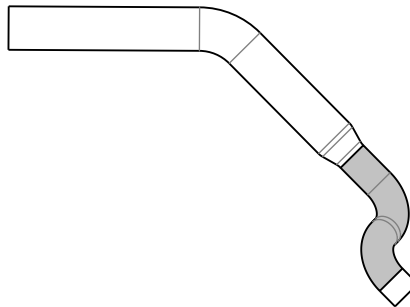


**FUEL WATER SEPARATOR
MOUNTING POSITION**

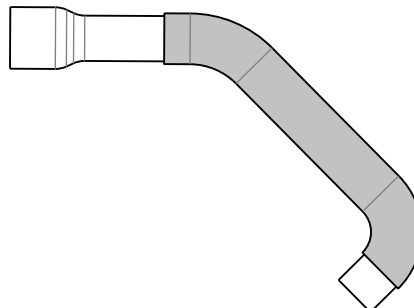
HF9800
FUEL HOSE x 2
(1760mm)



MH9800A PCV HOSE x 1

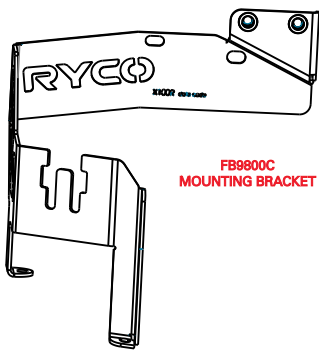
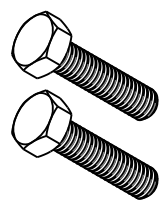
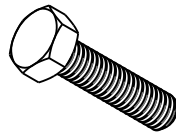
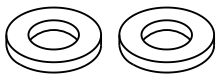
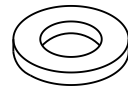
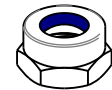


MH9800B PCV HOSE x 1



X100R FUEL WATER SEPARATOR / CATCHCAN FITMENT INSTRUCTIONS

SECTION 1 METAL BRACKET FITMENT

PARTS REQUIRED			TOOLS & PPE'S REQUIRED		
 <p>FB9800C MOUNTING BRACKET</p>	 <p>MS4037 HEX BOLT x 2 (M6)</p>	 <p>MS4038 HEX BOLT (M8)</p>	<p>* WORK GLOVES * SOCKET SET</p>		
	 <p>MS4036 WASHER x 2 (M6)</p>	 <p>MS4031 WASHER (M8)</p>			 <p>MS4099 NYLON LOCK NUT (M6)</p>

WORK PROCEDURE

- In Fig. 2, locate the factory nut and washer that mounts the factory ABS module (Note: Only remove the one closer to the engine as highlighted), between the air box and brake fluid reservoir. Position the bracket in the engine bay as per Fig. 1, engaging Point **C** on the bracket onto the stud and loosely refit the factory nut and washer back onto the stud.
- Note the position of the hole at Point **D**. From the front-left wheel house of the vehicle, install the supplied M6 bolt with washer upwards through the hole at Point **D**, and secure the bracket with the supplied M6 nylon lock nut. (Caution: Note the bolt direction. Do not install the bolt so it protrudes into the wheel house).
- Secure the bracket onto the sidewall of the vehicle by installing a supplied M8 bolt with a supplied M8 washer onto Point **A**, and a supplied M6 bolt with a supplied M6 washer at Point **B**.
- Tighten all fasteners as per Fig. 2.

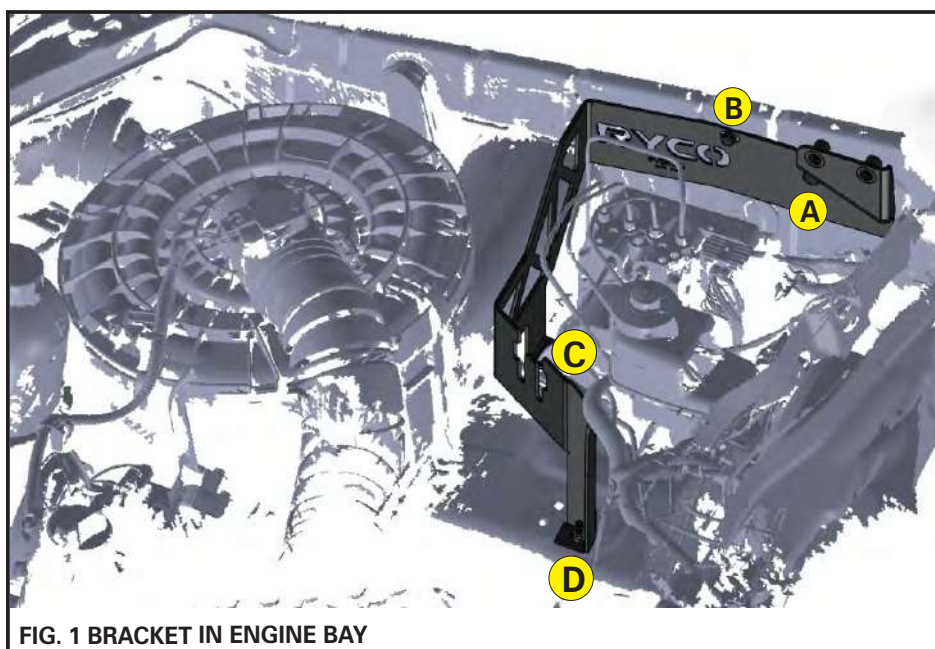


FIG. 1 BRACKET IN ENGINE BAY

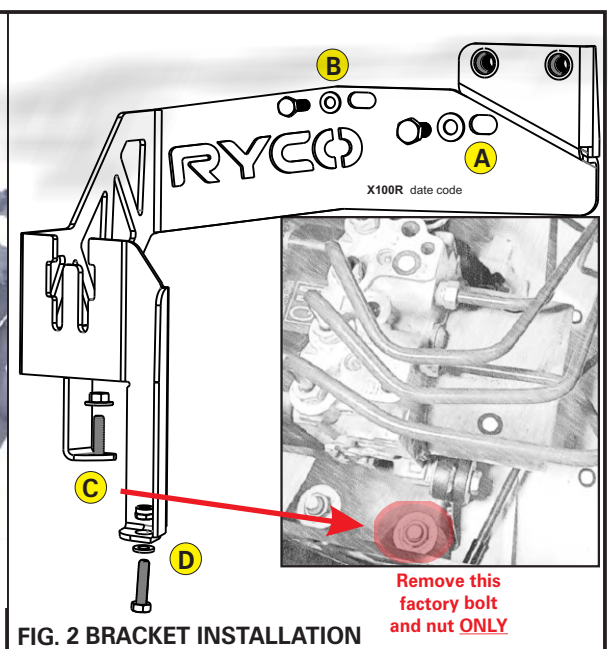


FIG. 2 BRACKET INSTALLATION

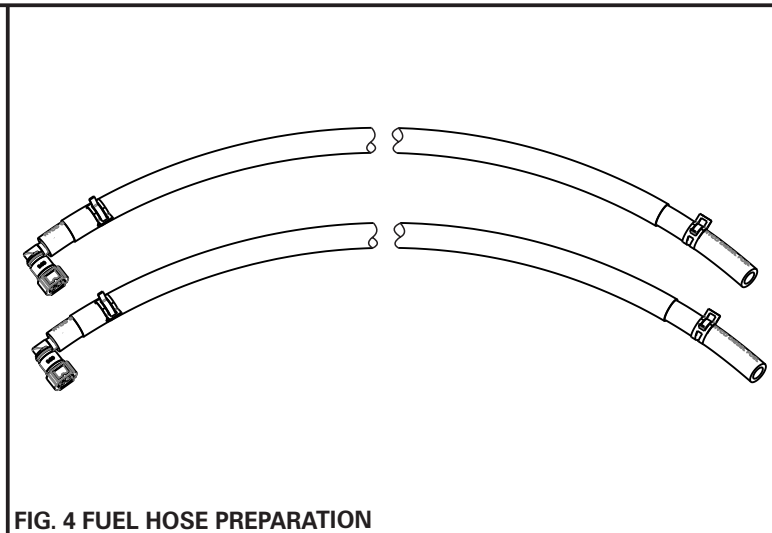
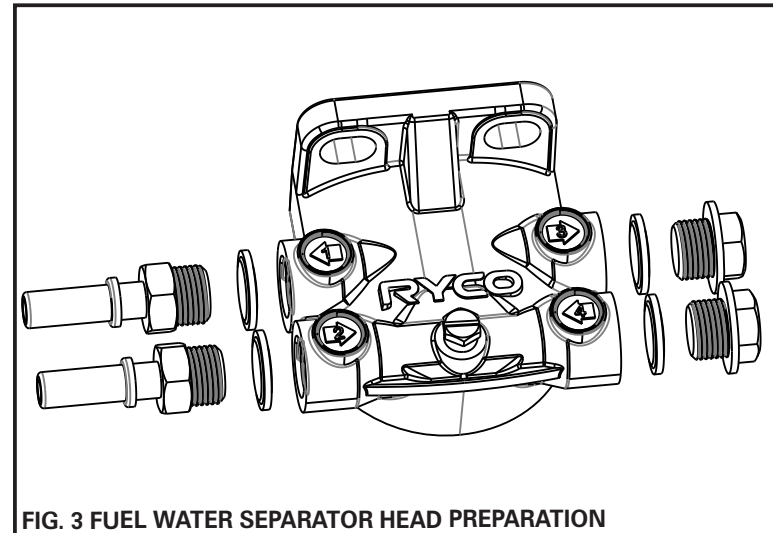
X100R FUEL WATER SEPARATOR / CATCHCAN FITMENT INSTRUCTIONS

SECTION 2 FUEL WATER SEPARATOR INSTALLATION

PARTS REQUIRED		TOOLS & PPE'S REQUIRED	
<p>M16 PLUG x 2</p> <p>M10 BOLT x 2</p> <p>RUBBER BONDED WASHER x 4</p> <p>M10 FLANGE NUT x 2</p> <p>M10 WASHER x 2</p> <p>RYCO Z9805 FUEL WATER SEPARATOR</p>	<p>MS4096A QUICK CONNECTOR x 2</p> <p>MS4042 FUEL HOSE CLAMP x 4</p>	<p>HF9800 FUEL HOSE x 2 (1760mm)</p> <p>MS4081 ELBOW CONNECTOR x 2</p>	<ul style="list-style-type: none"> * WORK GLOVES * RACHET SET * HOSE CLAMP PLIERS * RAGS

WORK PROCEDURE

1. Select the supplied quick connectors that fit the Ryco fuel water separator head.
2. Locate the blanking plugs supplied with the fuel water separator.
3. Install the Ryco fuel water separator head with metal quick connectors, blanking plugs and rubber bonded washers, as per Fig 3. Tighten blanking plugs (on Port 3 & 4) and quick connectors (on Port 1 & 2).
4. Install two supplied elbow connectors onto one end of both supplied fuel hoses and install four supplied fuel hose clamps onto both ends of fuel hoses, as per Fig. 4. Do not tighten fuel hose clamps yet.



X100R FUEL WATER SEPARATOR / CATCHCAN FITMENT INSTRUCTIONS

SECTION 2 FUEL WATER SEPARATOR INSTALLATION (CONTINUED)

WORK PROCEDURE (CONTINUED)

1. Locate the factory fuel supply line by starting at the fuel inlet port of the factory fuel filter. Loosen the factory fuel hose clamp and disconnect the fuel supply line from the factory filter, as per Fig. 5. Have a rag ready to capture any diesel that may spill out of the fuel line and the fuel filter.
2. Trace the other end of the fuel supply line and disconnect it from the metal factory fuel supply pipe, as per Fig. 5. Remove the factory fuel supply line from the vehicle and store for safe keeping. Have a rag ready to capture any diesel that may spill out of the fuel lines.
3. Mount the Z980SK16 assembly onto the X100R metal bracket using the two (2) black M10 bolts supplied with the Z980SK16.
4. Connect one of the supplied fuel hoses to the inlet port of the Z980SK16 (coloured orange in Fig. 6) by pushing the elbow connector onto the metal quick connector until you hear a "click", and route the other end under and up past the factory ABS module pipes and brake fluid reservoir. Continue the hose along the top of the factory AC pipes, and along the factory powertrain harness at the back of the engine bay, as per Fig. 7. Connect the end of the fuel hose to the factory fuel supply pipe ensuring no sharp bends in the hose and secure with a supplied fuel hose clamp.
5. Connect the second hose to the outlet port of the Z980SK16 (coloured green in Fig. 6) by pushing the elbow connector onto the metal quick connector until you hear a "click", and route the other end similar to Step. 4 as per Fig. 6. Connect the end of the fuel hose to the factory fuel filter and secure with a supplied fuel hose clamp.
6. Tighten all hose clamps and secure the 2 fuel hoses to the engine harness along the back of the engine bay with the supplied cable ties. For final assembly of the fuel water separator and routing of the fuel hoses, see Fig. 7.
7. Locate the priming button on top of the factory fuel filter and prime the fuel system by pumping the button repeatedly. Continue pumping until it is hard to press. The priming process could take approximately 5 - 10 minutes.

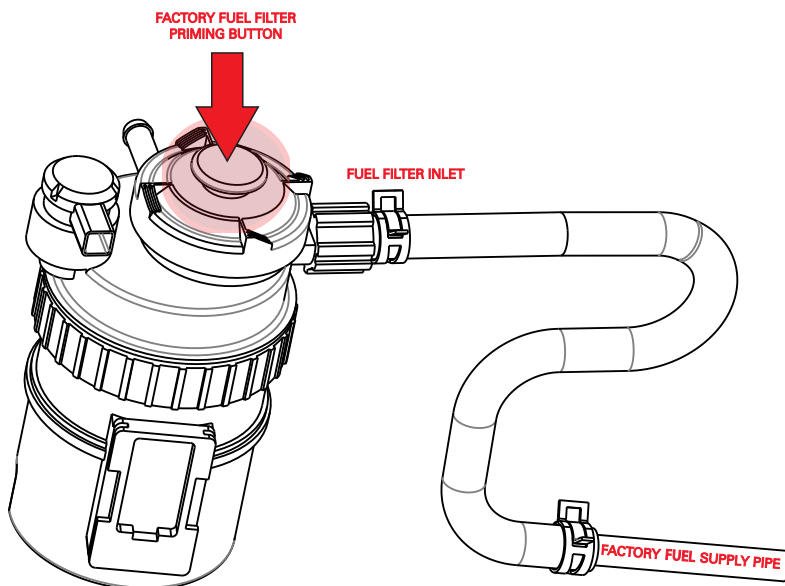


FIG. 5 FACTORY HOSE IDENTIFICATION

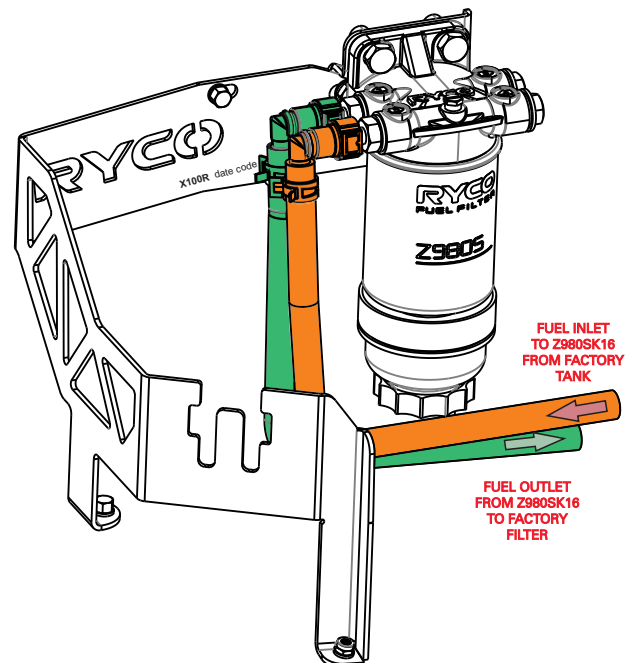


FIG. 6 FUEL WATER SEPARATOR INSTALLATION

X100R FUEL WATER SEPARATOR / CATCHCAN FITMENT INSTRUCTIONS

SECTION 2 FUEL WATER SEPARATOR INSTALLATION (CONTINUED)

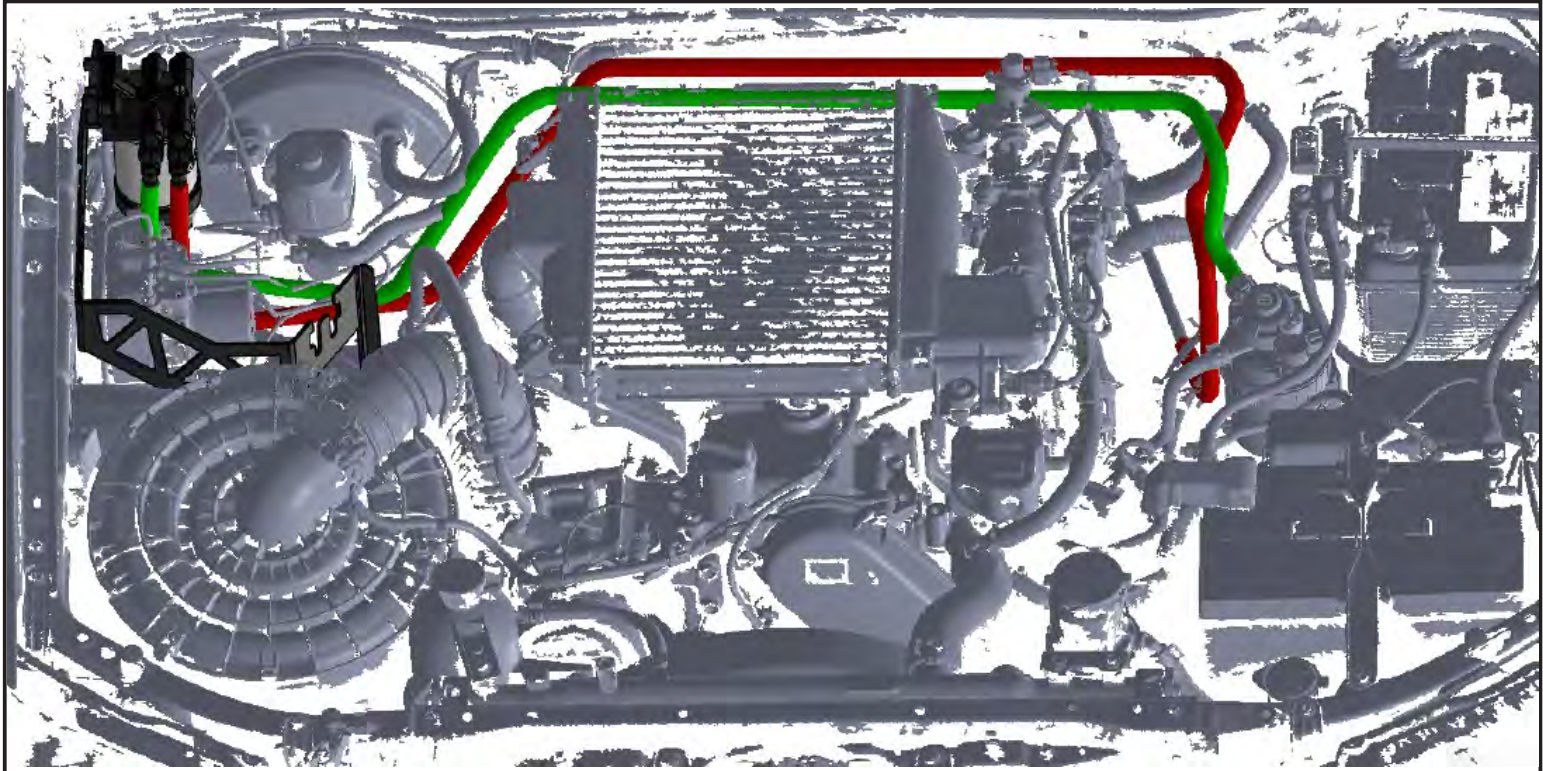
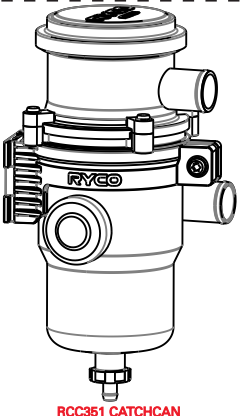

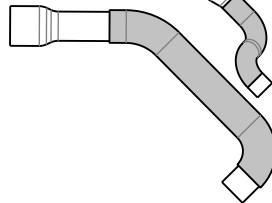




FIG. 7 FUEL WATER SEPARATOR INSTALLATION AND FUEL HOSE ROUTING

X100R FUEL WATER SEPARATOR / CATCHCAN FITMENT INSTRUCTIONS

SECTION 3 CATCHCAN INSTALLATION

PARTS REQUIRED		TOOLS & PPE'S REQUIRED
 <p>RCC351 CATCHCAN</p>	<p>MH9800A PCV HOSE x 1</p>  <p>MH9800B PCV HOSE x 1</p> 	<p>MS4091 PCV HOSE CLAMP x 2</p>  <p>MS4092 PCV HOSE CLAMP x 2</p> 
		<ul style="list-style-type: none"> * WORK GLOVES * RACHET SET * HOSE CLAMP PLIERS

WORK PROCEDURE

1. Remove the plastic engine cover.
2. Mount the catchcan onto the bracket by sliding the RCC351 nylon bracket onto the catchcan mounting position on FB9800C, rotate it so it is facing toward the back of the engine bay and tighten the plastic bracket retaining screw.
3. Locate the factory PCV valve on the driver side engine rocker cover (under the intercooler), as per Fig. 8 below. Undo the factory bolt to loosen the bracket on the factory metal PCV ventilation pipe. Remove the factory rubber ventilation hose from the PCV outlet and store for safe keeping, as shown in Fig 8a and Fig. 8b.

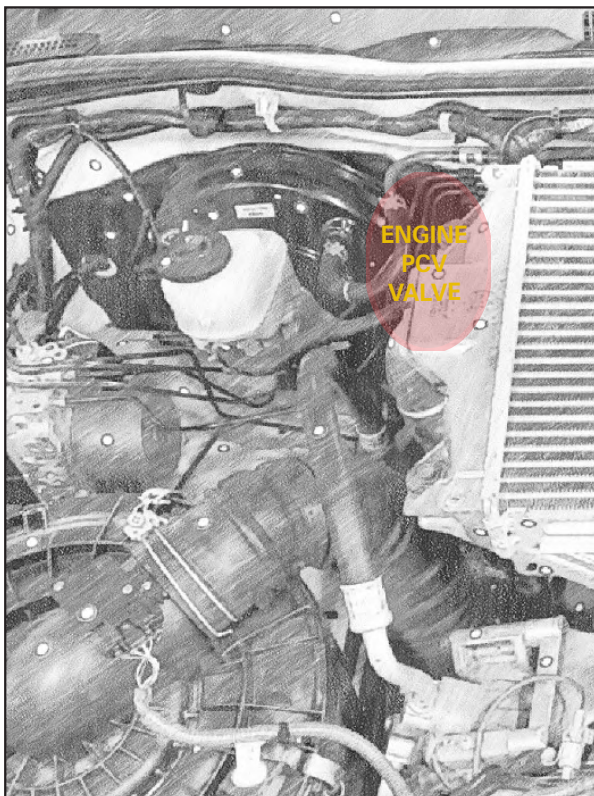


FIG. 8a ENGINE PCV VALVE

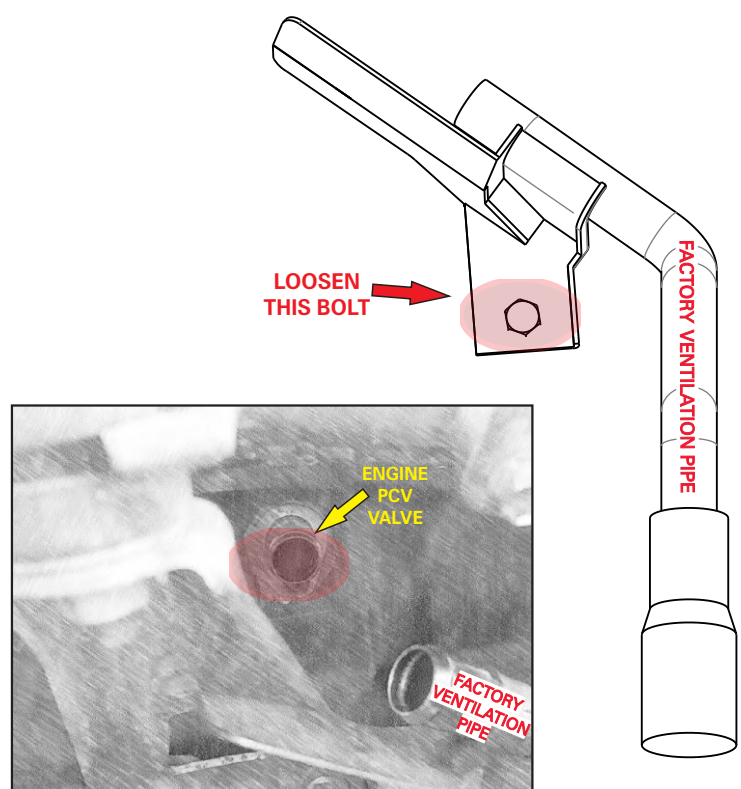


FIG. 8b ENGINE PCV VALVE AND VENTILATION PIPE

X100R FUEL WATER SEPARATOR / CATCHCAN FITMENT INSTRUCTIONS

SECTION 3 CATCHCAN INSTALLATION (CONTINUED)

WORK PROCEDURE (CONTINUED)

4. Connect the small end of the supplied Ryco PCV hose MH9800A to the outlet of the engine PCV valve and secure with a supplied hose clamp. Route the hose behind the intercooler bracket and connect the other end of MH9800A to the lower port of the RCC351 and secure with a supplied hose clamp.
5. Connect the small end of the supplied Ryco PCV hose MH9800B to the inlet of the factory ventilation pipe and secure with a supplied hose clamp. Route the hose in front of the intercooler bracket and connect the other end of MH9800B to the upper port of the RCC351 and secure with a supplied hose clamp. See Fig 9 below.
6. Check both PCV hoses are not jammed or kinked by the surrounding engine parts.

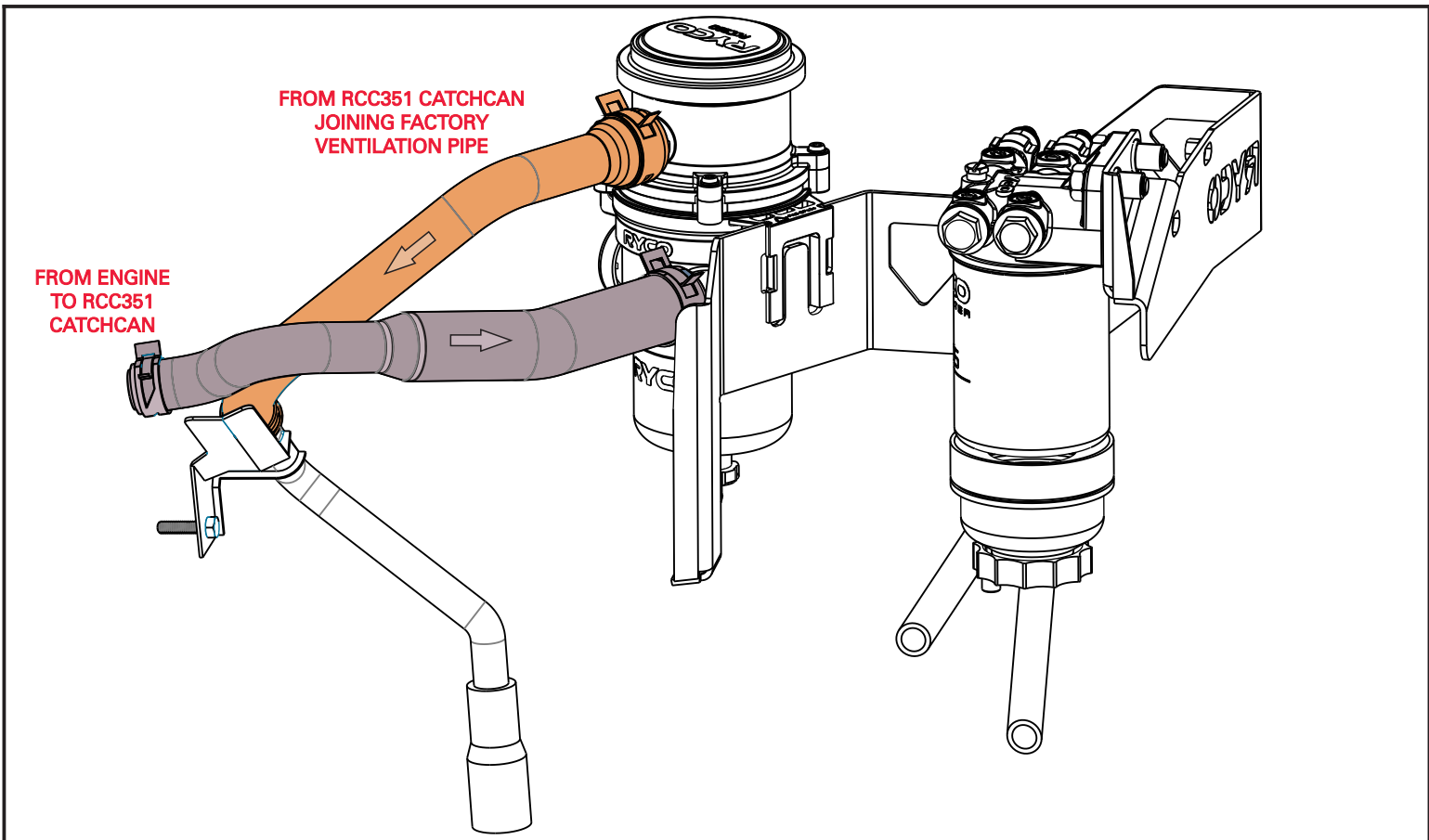
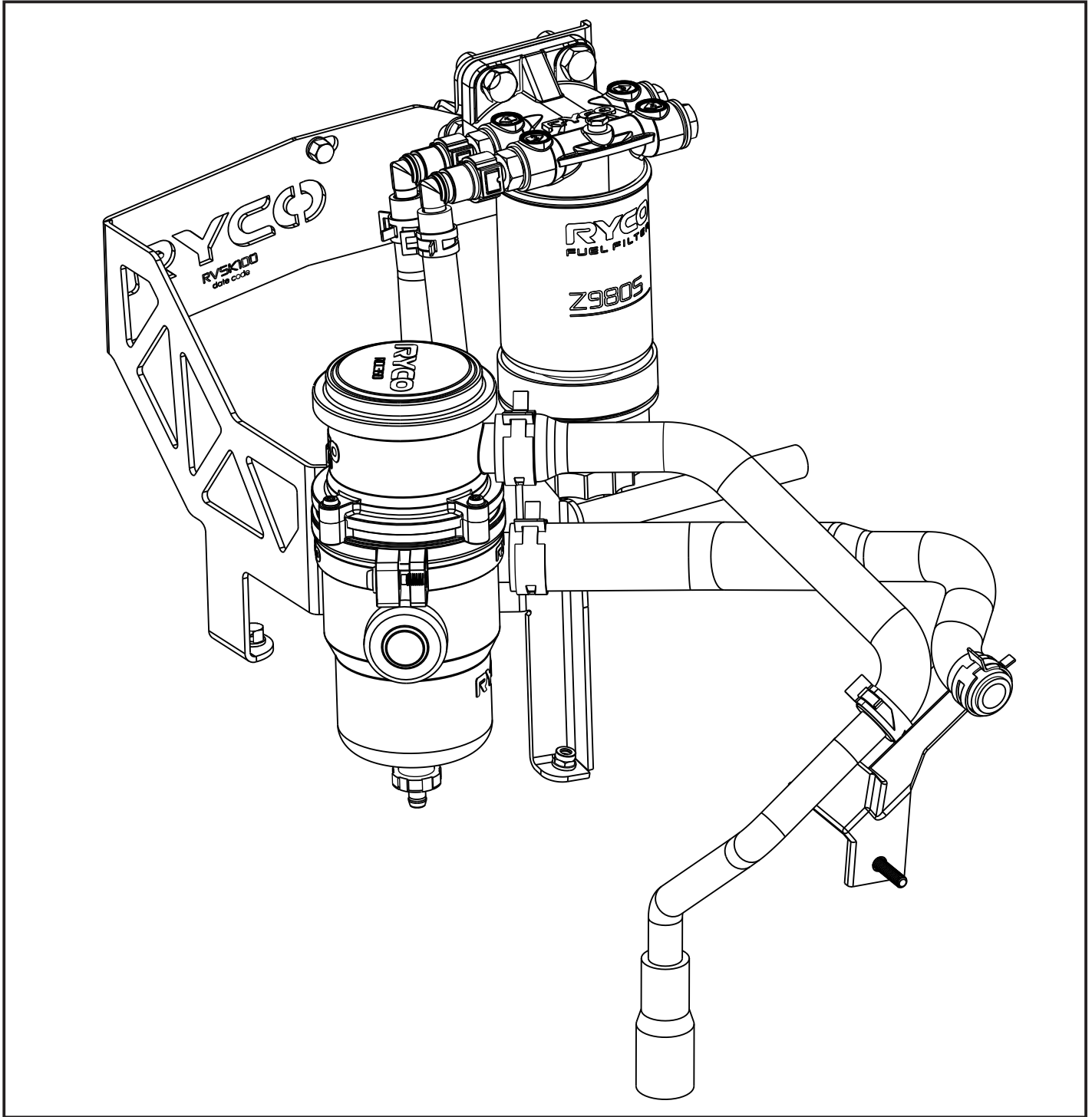


FIG. 9 CATCHCAN INSTALLATION

DRAIN HOSE INSTALLATION PROCEDURE (OPTIONAL)

1. To install the drain hose, remove the drain plug from the bottom of RCC351, take out the rubber seal from the plug and refit. Insert the drain hose and secure it with the supplied spring clamp. Insert the hose drain tap to the other end and use the zip ties to secure the hose. To drain, pull back the red section until all oil has drained out.
2. If it has been fitted without using the drain hose supplied, simply slide out the unit from its bracket and remove the drain plug on the unit and let the oil drain onto a pan or bottle.

X100R FUEL WATER SEPARATOR / CATCHCAN FITMENT INSTRUCTIONS



AUSTRALIA
RYCO Group Pty Ltd
29 Taras Avenue, Altona North
Victoria 3025 Australia.
www.rycofilters.com.au

NEW ZEALAND
RYCO Group - A division of GUD (NZ) Holdings Limited
19 Bell Avenue, Otahuhu,
Auckland, 1060 New Zealand.
www.ryco.co.nz

SOCIAL NETWORKS
Facebook: Facebook.com/rycofilters
YouTube: Youtube.com/rycofiltersaus
Twitter: Twitter.com/Ryco_Filters
Instagram: Instagram.com/rycofilters