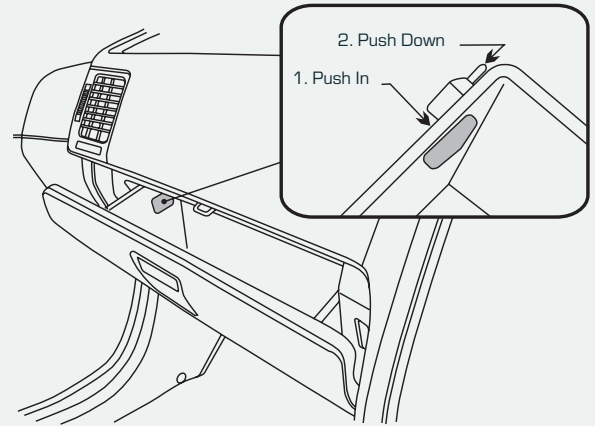


HYUNDAI GETZ

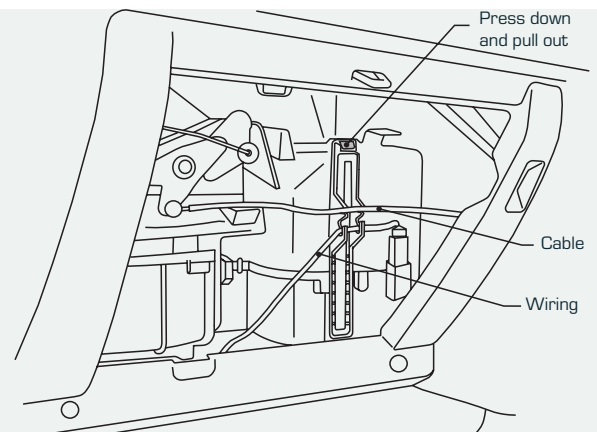
FILTER IS LOCATED BEHIND THE GLOVE BOX

WORK PROCEDURE

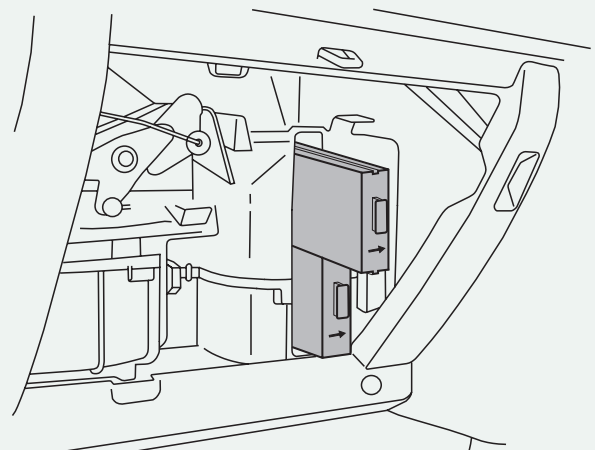
- 1 Open glove box and remove retaining pins on either side of glove box, then fully open glove box.
- 2 Remove cable and wiring from filter cover plate, push down and pull out to remove cover plate.
- 3 Remove the two used filters, replace with new cabin air filters (note direction of flow arrow - refer step 3 diagram) and reinstall all previously removed parts.



STEP 1



STEP 2



STEP 3