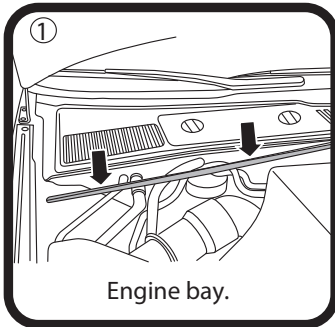


RYCO FILTERS



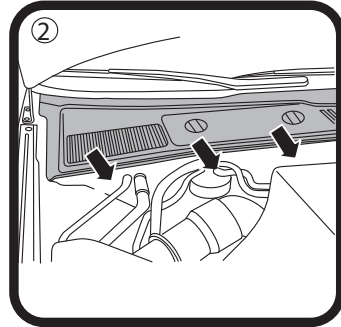
FITTING INSTRUCTIONS FOR RYCO CABIN FILTER RCA170C.

AUDI A6 (AVANT) (Filter is located in engine bay)

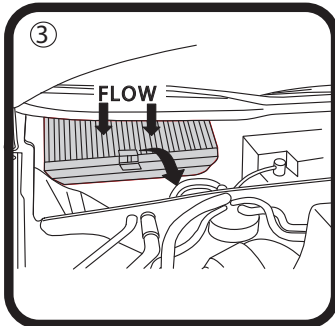


Engine bay.

Remove weather strip as shown.



Pull cover towards front to expose filter housing.



Undo clip, remove used filter, noting flow direction



Dispose of used filter correctly .

Fit new RCA170C filter then refit all previously removed components.

Ryco Group Pty Ltd
29 Taras Ave, Altona North
Victoria 3025 Australia.
www.rycofilters.com.au

Ryco Group
A Division of GUD NZ Holdings Ltd
626A Rosebank Road, Avondale
Auckland New Zealand
www.ryco.co.nz