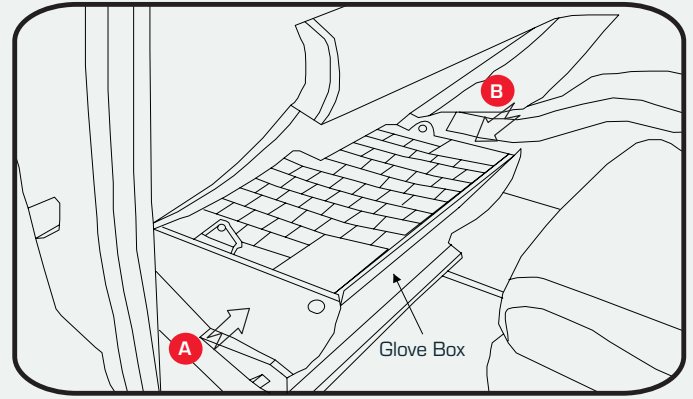


### RCA227M FORD RANGER PX

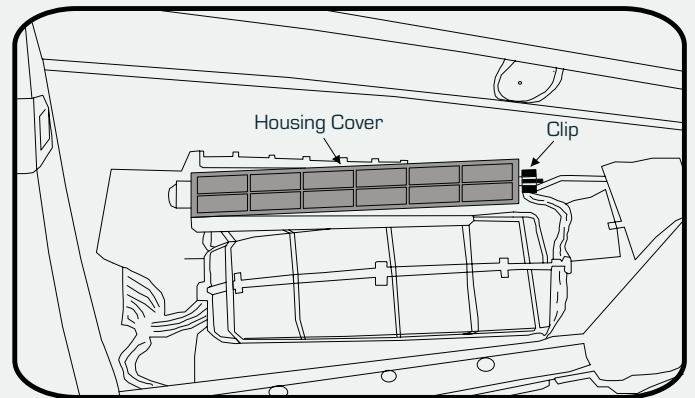
#### FILTER IS LOCATED BEHIND THE GLOVE BOX

#### WORK PROCEDURE

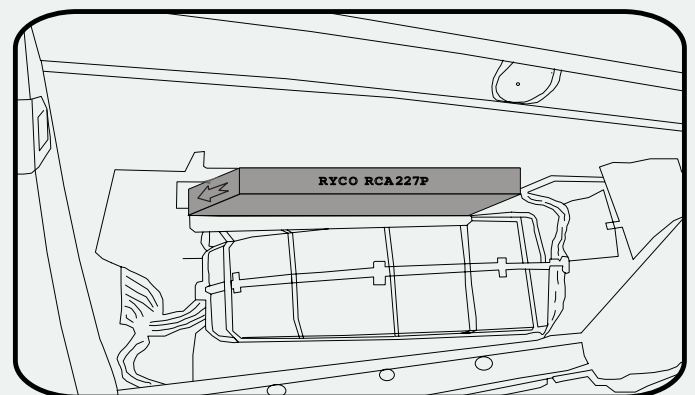
- 1 Open the glove box and press the centre area of both side panels (As shown "A" and "B") to loosen the glove box down.
- 2 The cabin air filter housing is located above glove box. Remove the cover by squeezing the clip located on its right side.
- 3 Remove old filter and push new filter into the housing. Refit housing cover and glove box. Dispose of used filter.



STEP 1



STEP 2



STEP 3