

MITSUBISHI GANDIS, CHALLENGER (PB), LANCER (CH) , OUTLANDER (ZF), TRITON (ML & MN)

FILTER IS LOCATED BEHIND THE GLOVE BOX

WORK PROCEDURE

- 1 The cabin air filter is located behind the glove box compartment, it will have to be removed to gain access to the cabin air filter.
- 2 Open the glove box and press inwards on both top corners so that the retaining lugs can be bypassed then let the compartment completely drop.
- 3 With a Phillips screw driver remove the two screws securing the lid to the housing (NOTE: the lid and filter are one unit).
- 4 Grab the lid and slide out the old cabin air filter carefully to avoid any accumulated debris from being spread around. Clean the area and insert the new filter, making sure it is facing in the right air flow direction. Refit all components in reverse order.

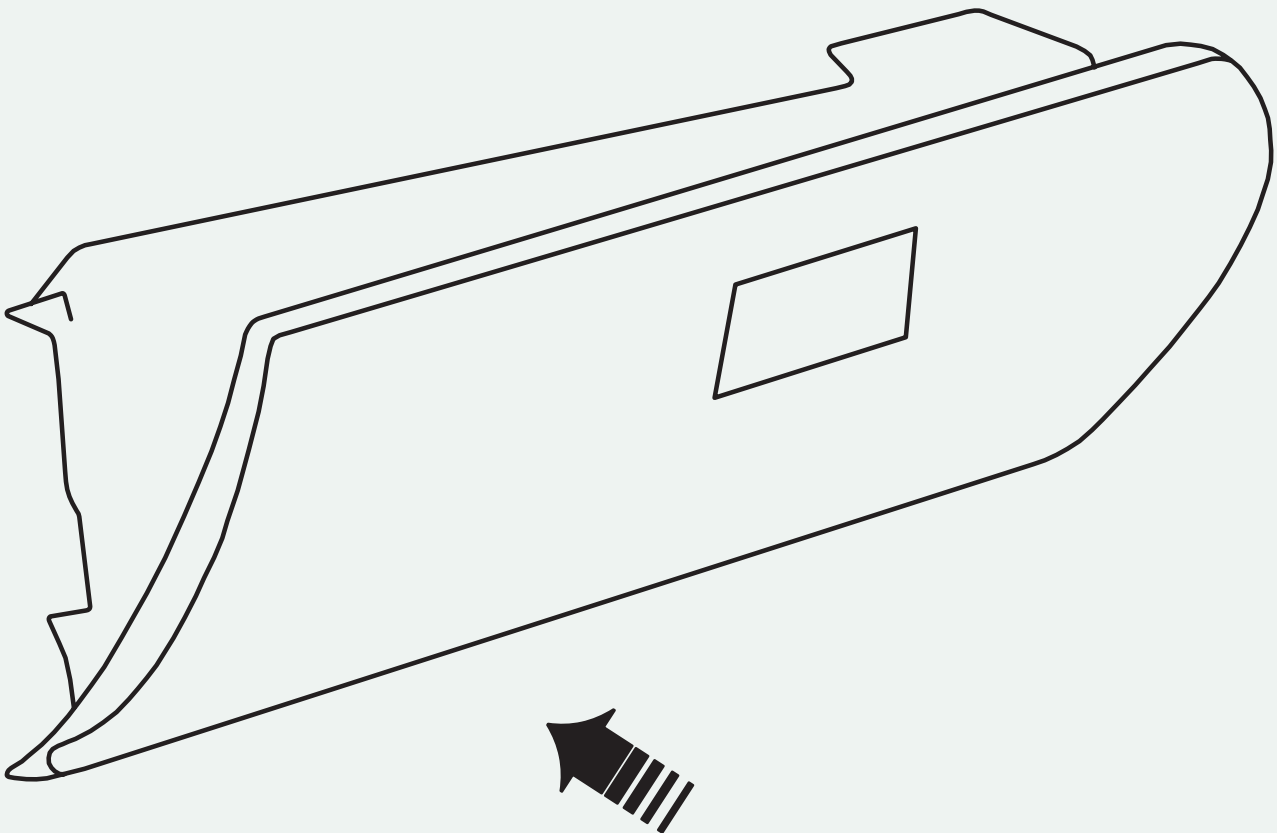


FIGURE 1