

R2651P

TOYOTA LANDCRUISER 200

- 1 Unscrew and remove cover plate.
- 2 Fit hose to insert and push insert into housing cap drain oil from housing.
- 3 Remove housing cap using and drain leftover oil.

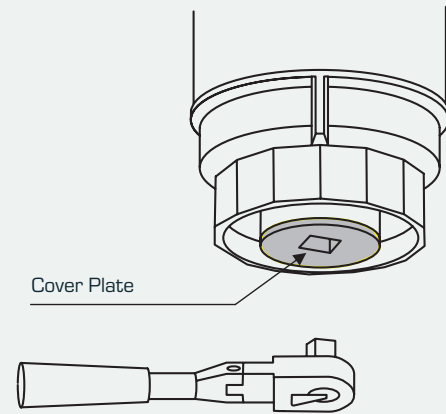


FIGURE 1

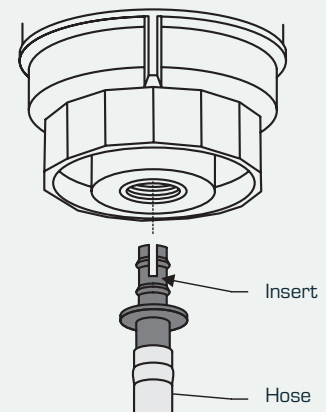


FIGURE 2

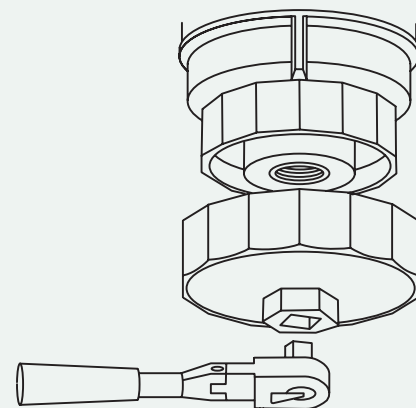


FIGURE 3

R2651P

TOYOTA LANDCRUISER 200

- 4 Remove element from cap, remove O-ring from groove, check there is no seal in "A".
- 5 Areas shown to be cleaned prior to assembly. Refer to FIG.5.
- 6 Clean mating thread on cap, apply coating of oil to large O-ring and fit in groove, install new element into cap and screw into housing body, by hand then tighten to $25 \pm 5\text{Nm}$. Apply coating of oil to small O-ring and fit into groove, replace cover plate and tighten to $12,5 \pm 2,5\text{Nm}$. Fill sump with oil and run engine for 3 minutes and check for leaks.
- 7 Dispose of used filter.

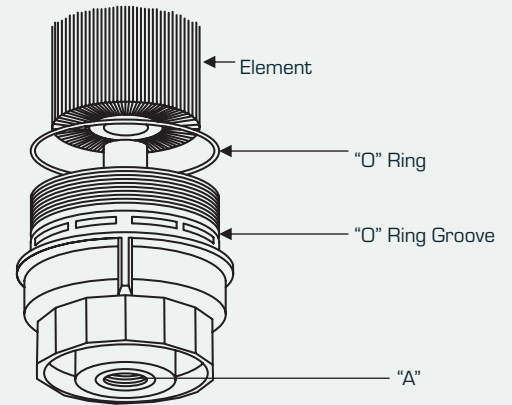


FIGURE 4

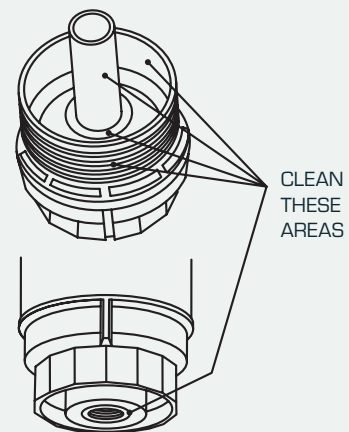


FIGURE 5

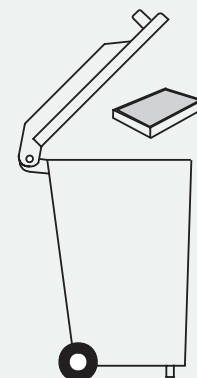


FIGURE 6

R2651PSTA

TOYOTA LANDCRUISER 70 SERIES

- 1 Remove housing cap and drain leftover oil. Refer to FIG.1.
- 2 Remove element from cap, remove O-ring from groove, check there is no seal in "A". Refer to FIG.2.
- 3 Areas shown to be cleaned prior to assembly. Refer to FIG.3.
- 4 Clean mating thread on cap, apply coating of oil to large O-ring and fit in groove, install new element into cap and screw into housing body, by hand then tighten to $25 \pm 5\text{Nm}$. Apply coating of oil to small O-ring and fit into groove, replace cover plate and tighten to $12,5 \pm 2,5\text{Nm}$. Fill sump with oil and run engine for 3 minutes and check for leaks.
- 5 Dispose of used filter.

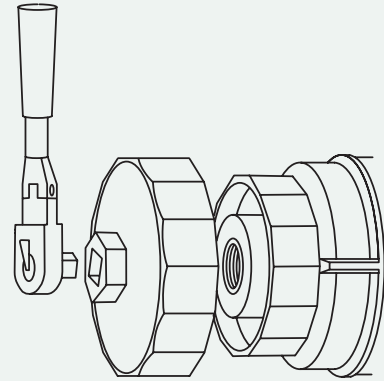


FIGURE 1

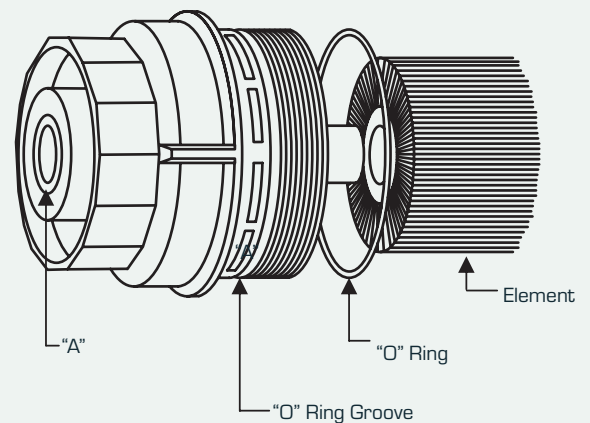


FIGURE 2



FIGURE 3

R2651PST

TOYOTA LANDCRUISER 200

- 1 Unscrew and remove cover plate.
- 2 Fit hose to insert and push insert into housing cap drain oil from housing.
- 3 Remove housing cap using and drain leftover oil.

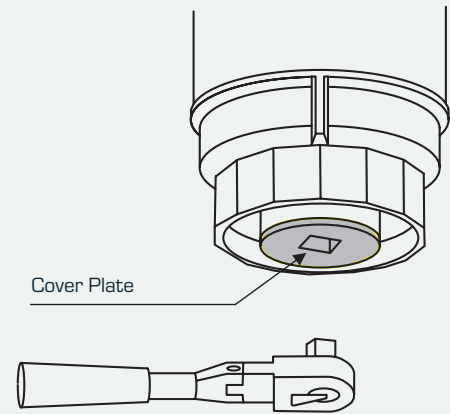


FIGURE 1

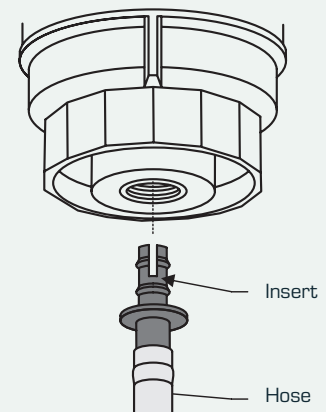


FIGURE 2

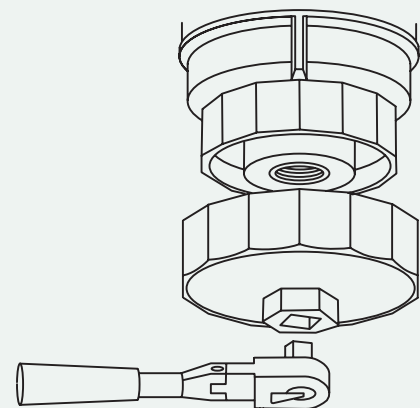


FIGURE 3

R2651PST

TOYOTA LANDCRUISER 200

- 4 Remove element from cap, remove O-ring from groove, check there is no seal in "A".
- 5 Areas shown to be cleaned prior to assembly. Refer to FIG.5.
- 6 Clean the mating thread on cap, apply coating of oil to large O-ring and fit in groove, install new element into cap and screw into housing body, by hand then tighten to $25 \pm 5\text{Nm}$. Apply coating of oil to small O-ring and fit into groove, replace cover plate and tighten to $12,5 \pm 2,5\text{Nm}$. Fill sump with oil and run engine for 3 minutes and check for leaks.
- 7 Dispose of used filter.

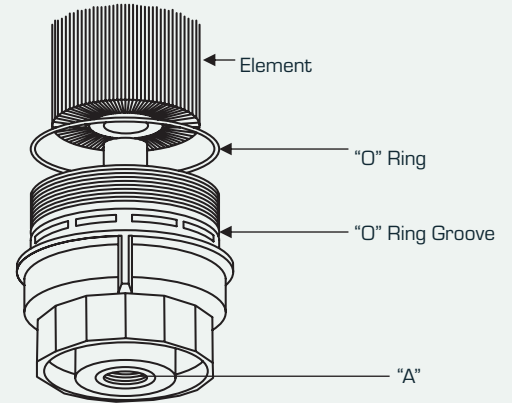


FIGURE 4

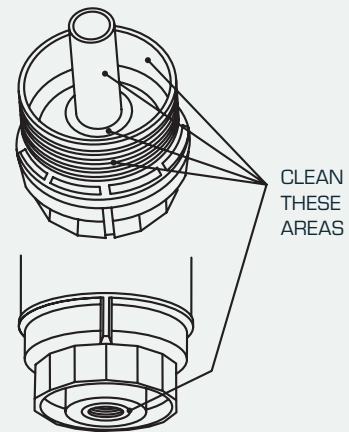


FIGURE 5

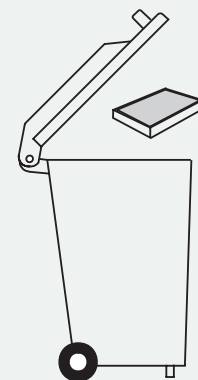


FIGURE 6

R2651P

TOYOTA LANDCRUISER 70 SERIES

- 1 Remove housing cap and drain leftover oil. Refer to FIG.1
- 2 Remove element from cap, remove "O" ring from groove, check there is no seal in "A". Refer to FIG.2
- 3 Areas shown to be cleaned prior to assembly. Refer to FIG.3
- 4 Clean mating thread on cap, apply coating of oil to large "O" ring and fit in groove, install new element into cap and screw into housing body, by hand then tighten to $25 \pm 5\text{Nm}$. Apply coating of oil to small "O" ring and fit into groove, replace cover plate and tighten to $12,5 \pm 2,5\text{Nm}$. Fill sump with oil and run engine for 3 minutes and check for leaks.
- 5 Dispose of used filter.

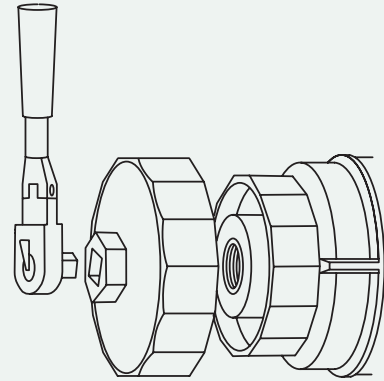


FIGURE 1

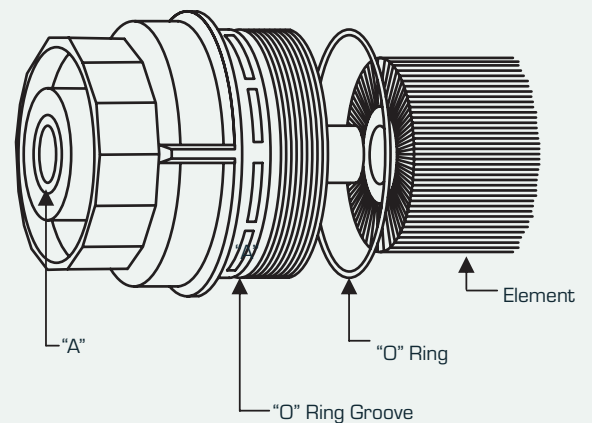


FIGURE 2



FIGURE 3