

RCA267M - NISSAN JUKE

FILTER IS LOCATED BEHIND THE GLOVE BOX

WORK PROCEDURE

- 1 The cabin air filter is located behind the glove box compartment unit in the passenger side towards the centre console. To gain access the unit needs to be removed.
- 2 With the glove box closed, identify the four (4) screws in the footwell securing the bottom part of the compartment. Open the glovebox and remove the strut facing the door by pulling it aside. Then remove the top three (3) screws of the compartment and pull out gently until the light connector is visible. Disconnect the light connector and continue to pull out the compartment.
- 3 The cabin air filter housing is located to the right of the cavity left by the compartment previously removed. Once the housing is identified remove the lid by unclipping it.
- 4 Grab the old filter and slide out carefully to avoid any accumulated debris from being spread around and clean the area.
- 5 Slide in the new filter making sure it is facing to the right air flow direction and refit all components in reverse order.

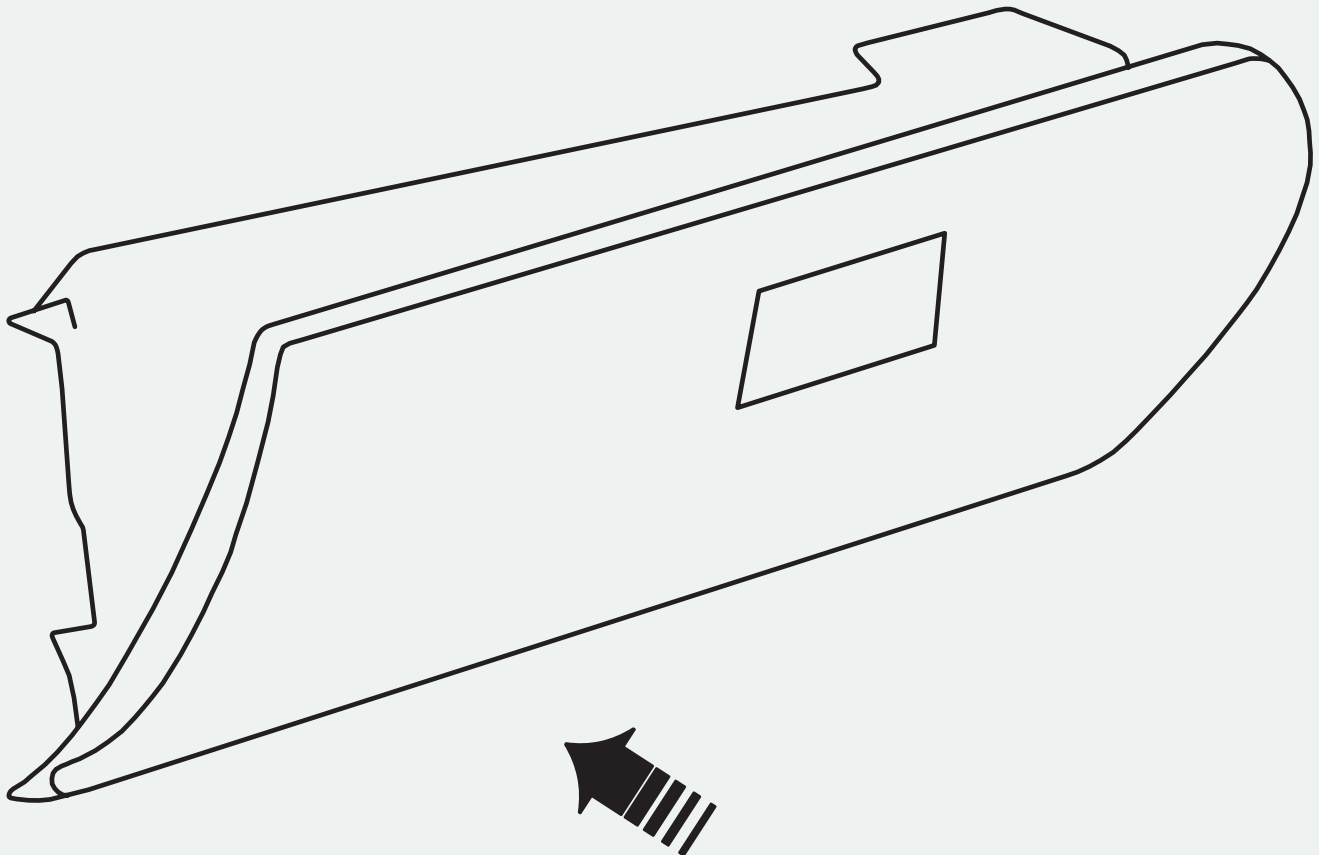


FIGURE 1