

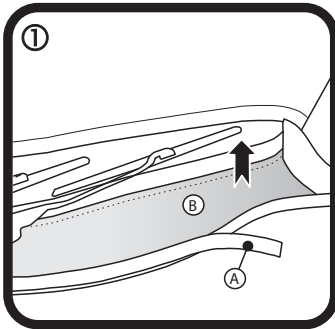
RYCO FILTERS



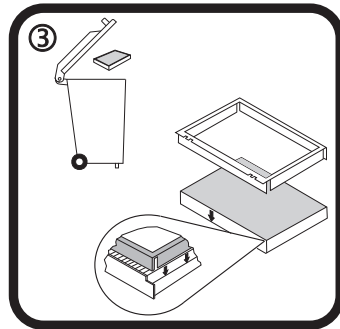
FITTING INSTRUCTIONS FOR RYCO CABIN FILTER RCA118C.

AUDI A3 & TT

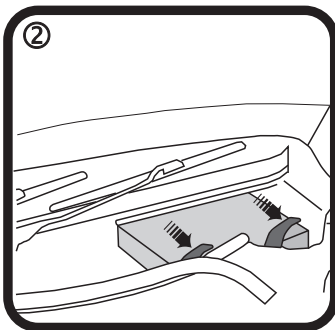
Filter located in engine bay under windscreen



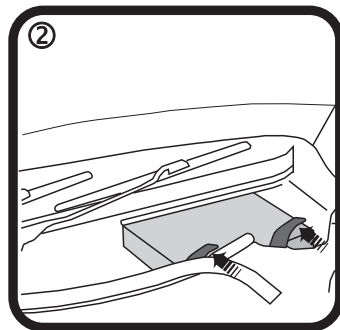
Remove weather strip and fold cover back



Dispose of used filter, fit new RCA118C to frame, ends of frame fit into last pleat at ends of filter.



Undo 2 clips by pulling to front of vehicle, remove filter and frame.



Fit new filter and frame into housing, push clips to lock, close cover and replace weather strip.

Ryco Group Pty Ltd
29 Taras Ave, Altona North
Victoria 3025 Australia.
www.rycofilters.com.au

Ryco Group
A Division of GUD NZ Holdings Ltd
626A Rosebank Road, Avondale
Auckland New Zealand
www.ryco.co.nz

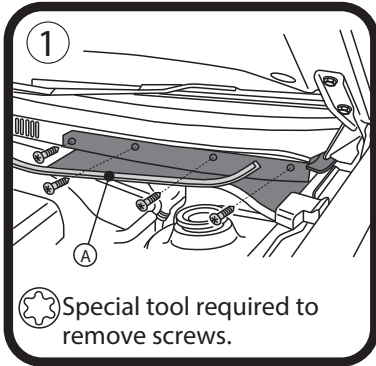
RYCO FILTERS



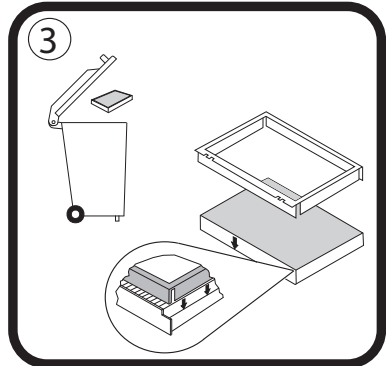
FITTING INSTRUCTIONS FOR RYCO CABIN FILTER RCA118C.

VW BORA

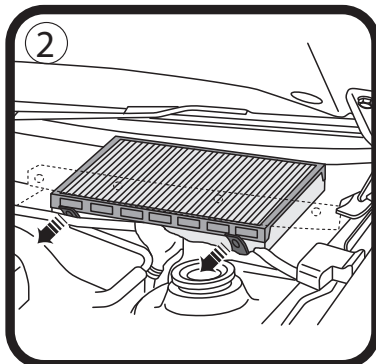
Filter located in engine bay under windscreen



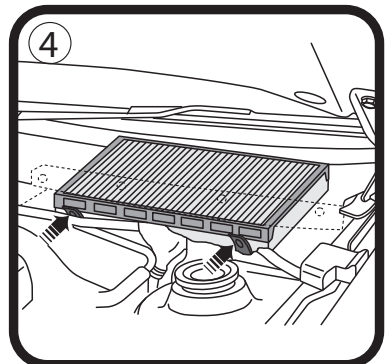
Remove weather strip ^A
undo 4 screws and remove
cover by pulling forwards.



Dispose of used filter, fit new
RCA118C to frame, noting
flow direction.



Undo 2 clips by pulling to
front of vehicle, remove
filter and frame.



Fit new filter and frame into
housing, push clips to lock,
replace cover, screws and
weather strip.

Ryco Group Pty Ltd
29 Taras Ave, Altona North
Victoria 3025 Australia.
www.rycofilters.com.au

Ryco Group
A Division of GUD NZ Holdings Ltd
626A Rosebank Road, Avondale
Auckland New Zealand
www.ryco.co.nz