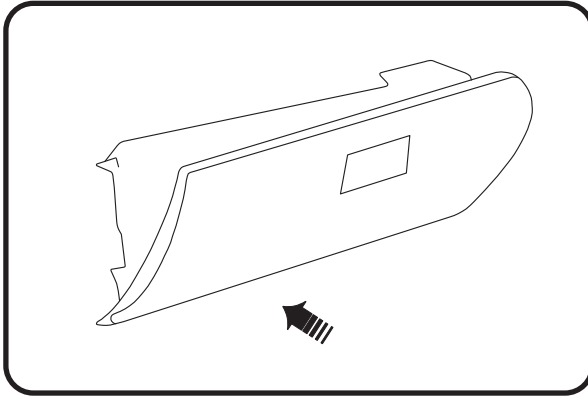


FITTING INSTRUCTIONS FOR RYCO CABIN FILTER RCA341C.
CITROEN BERLINGO/DS5, PEUGEOT PARTNER/3008



1. The filter is located inside the car under the glove compartment.
2. Release the glove compartment and remove the upholstery panel.
3. Open the housing, remove the first filter and then slide out the second one. Be careful to avoid any accumulated debris from being spread around.
4. Slide in the new filters making sure the air flow direction is correct. Refit all components in reverse order.