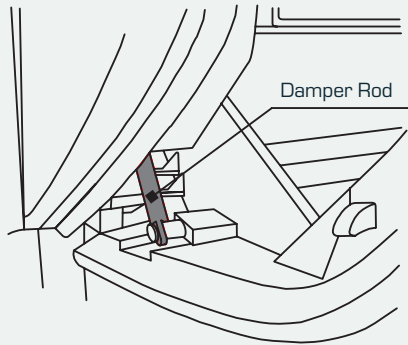
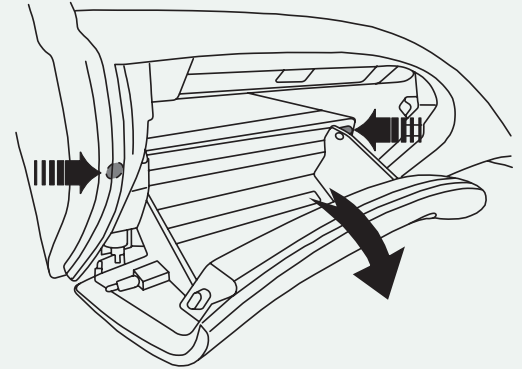


### SUBARU FORESTER & IMPREZA (GH SERIES)

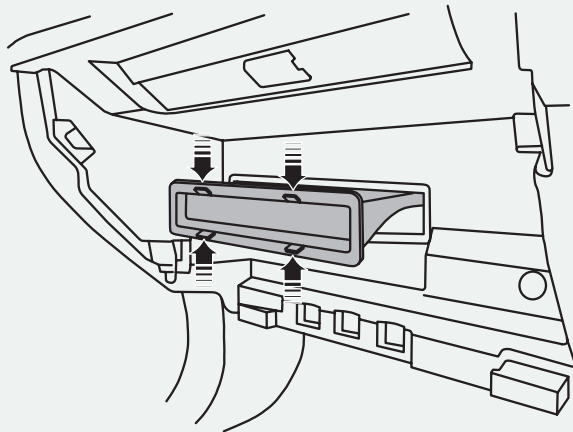
### FILTER IS LOCATED BEHIND THE GLOVE BOX



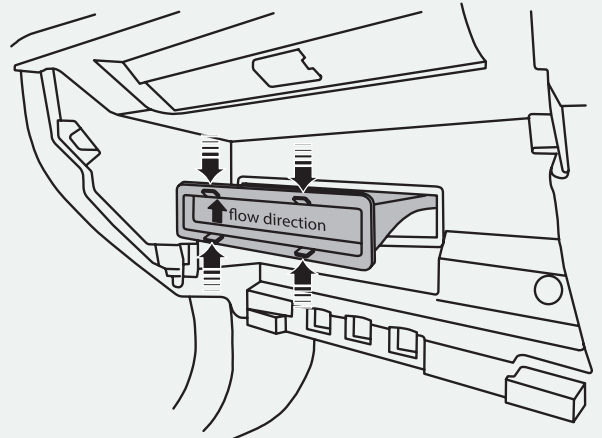
**STEP 1**  
Open glove box and remove rod.



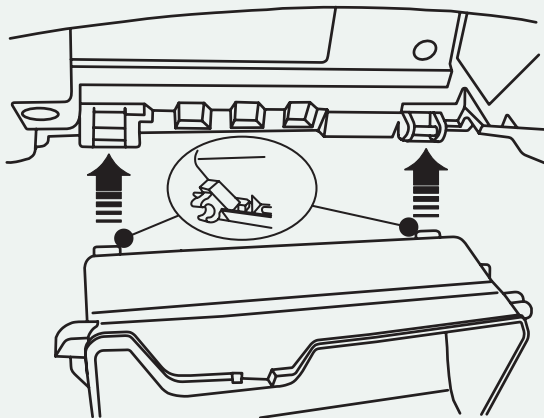
**STEP 2**  
With glove box open push stoppers on either side to remove glove box.



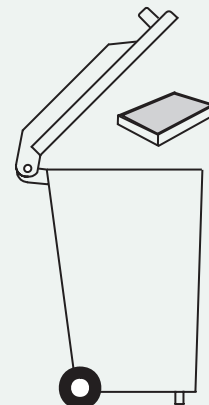
**STEP 3**  
Squeeze tabs as shown and pull filter out from housing.



**STEP 4**  
Push new filter into housing. Note flow direction on arrow is pointing up.



**STEP 5**  
Reinstall glove box and connect damper rod.



**STEP 6**  
Dispose of used filter correctly.