

RCA240M - HYUNDAI I30 FD

### FILTER IS LOCATED BEHIND THE GLOVE BOX

#### WORK PROCEDURE

- 1 The cabin air filter housing is located behind the glove box compartment. It has to be removed to gain access.
- 2 Open the glove box and press both top corners inwards to bypass the retaining lugs then, while holding the lid un-hinge the strut on the side of the box facing the door. Slowly drop the glove box compartment completely.
- 3 Remove the cabin air filter housing lid by unclipping it and slide out the old cabin air filter carefully to avoid any accumulated debris from being spread around.
- 4 Clean the area and slide in the new filter making sure it is facing in the right air flow direction marked on the side of the filter and refit all components in reverse order.

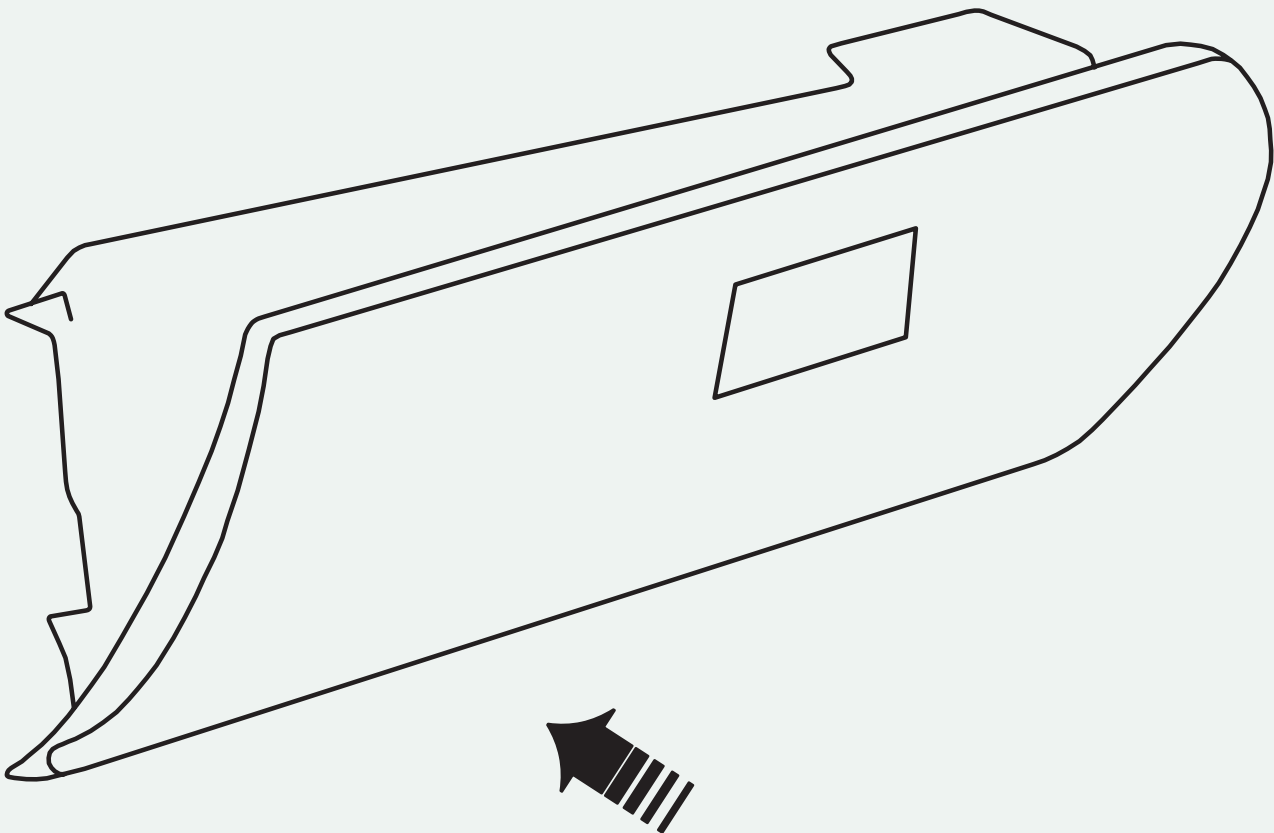


FIGURE 1