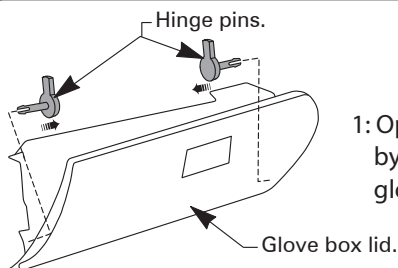


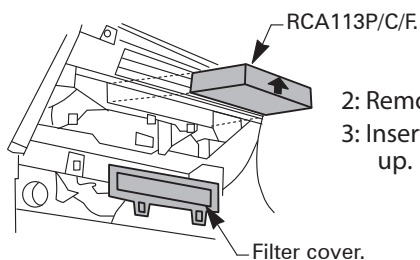
## FITTING INSTRUCTIONS FOR RYCO CABIN FILTER RCA113P/C/MS

### NISSAN PULSAR

Filter located behind glove box.



1: Open glove box, remove hinge pins by levering out as shown, remove glove box.



2: Remove filter cover, remove used filter.  
3: Insert new Ryco filter with flow arrow up.

4: Dispose of used filter correctly.

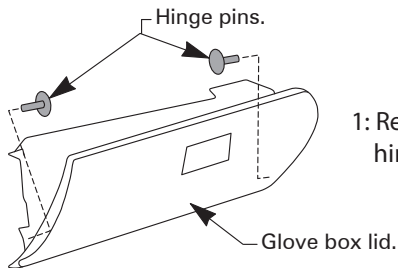


# RYCO FILTERS

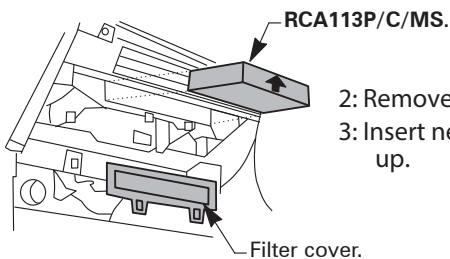


## FITTING INSTRUCTIONS FOR RYCO CABIN FILTER RCA113P/C/MS

### NISSAN X-TRAIL Filter located behind glove box.



1: Remove glove box lid by levering hinge pins out as shown.



2: Remove filter cover, remove used filter.  
3: Insert new Ryco filter with flow arrow up.

4: Dispose of used filter correctly.



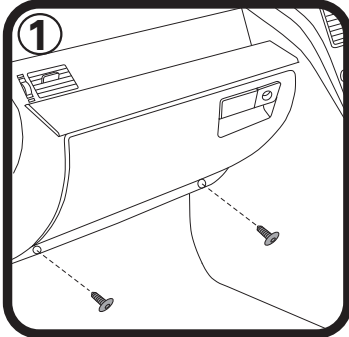
Ryco Group Pty Ltd  
29 Taras Ave, Altona North  
Victoria 3025 Australia.  
[www.rycofilters.com.au](http://www.rycofilters.com.au)

Ryco Group  
A Division of GUD NZ Holdings Ltd  
626A Rosebank Road, Avondale  
Auckland New Zealand  
[www.ryco.co.nz](http://www.ryco.co.nz)

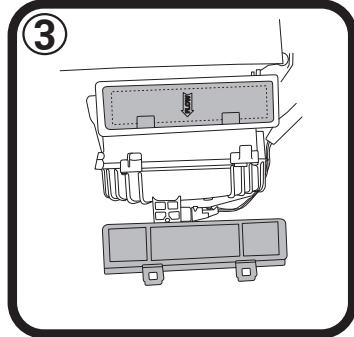
# RYCO FILTERS



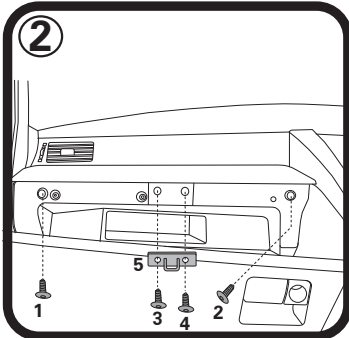
## FITTING INSTRUCTIONS FOR RYCO CABIN FILTER RCA113P/C/MS NISSAN MAXIMA & MURANO Filter located behind glove box



**1**  
Undo 2 screws at bottom of glove box as shown.



**3**  
Unclip filter cover and remove, pull used filter out of housing and replace with new Ryco filter.



**2**  
Open glove box, Undo 4 screws at top of glove box as shown, screws 3 & 4 retain staple (5) for glove box lock, lower glove box to access filter housing, Disconnect glove box light from back of glove box.



**4**  
Refit all previously removed components in reverse sequence.

Dispose of used filter correctly.

Ryco Group Pty Ltd  
29 Taras Ave, Altona North  
Victoria 3025 Australia.  
[www.rycofilters.com.au](http://www.rycofilters.com.au)

Ryco Group  
A Division of GUD NZ Holdings Ltd  
626A Rosebank Road, Avondale  
Auckland New Zealand  
[www.ryco.co.nz](http://www.ryco.co.nz)