

### RCA287M - FORD FOCUS (LW) & FORD KUGA

#### **FILTER IS LOCATED BEHIND THE GLOVE BOX**

#### **WORK PROCEDURE**

- 1 The cabin air filter is located behind the centre console lower trim in the passenger side. Note: Radio code may be required for reset after wiring disconnections have been completed.
- 2 For better working space, slide the passenger seat all the way back. Unclip the lower trim panel of the centre console. The cabin air filter housing is located at the far end towards the firewall.
- 3 The main wiring harness tray needs to be removed. There are two lock knobs at the front of the tray. Twist them to drop the tray then unhinge it from the rear pivot points. Disconnect main connectors and move aside.
- 4 The metal bracket where the tray pivots at the back needs removing. Undo the two bolts and remove. The cabin air filter housing is now accessible. Remove the three (3) bolts securing the lid and remove it.
- 5 Slide out the old cabin air filter carefully to avoid any accumulated debris from being spread around. Slide the new filter in making sure it faces the correct air flow direction and refit all components in reverse order.

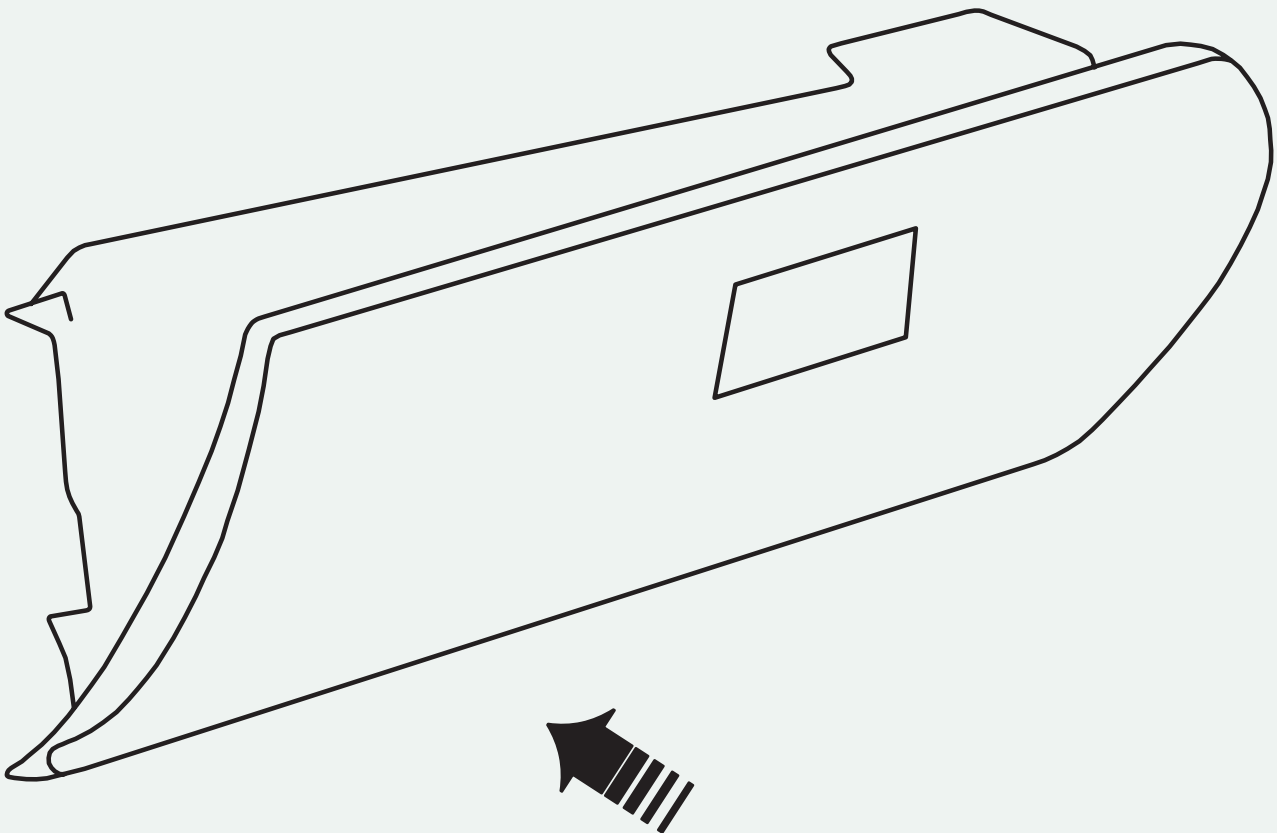


FIGURE 1