

MITSUBISHI TRITON (MQ)

FILTER IS LOCATED BEHIND THE GLOVE BOX

WORK PROCEDURE

- 1 The cabin air filter is located behind the glove box.
- 2 Open the glove box and press inwards on both top corners so that the opening stops can be bypassed. Lower the glove box fully on the hinge.
- 3 Remove the screws and clip fastening the trim panel behind the glove box. Remove the trim panel and wiring harness connector.
- 4 Remove the cabin air filter housing cover and cabin air filter. Remove any remaining debris in the cabin air filter housing.
- 5 Install the new cabin air filter. Look for the UP arrow on the cabin air filter. Refit all components in reverse order.

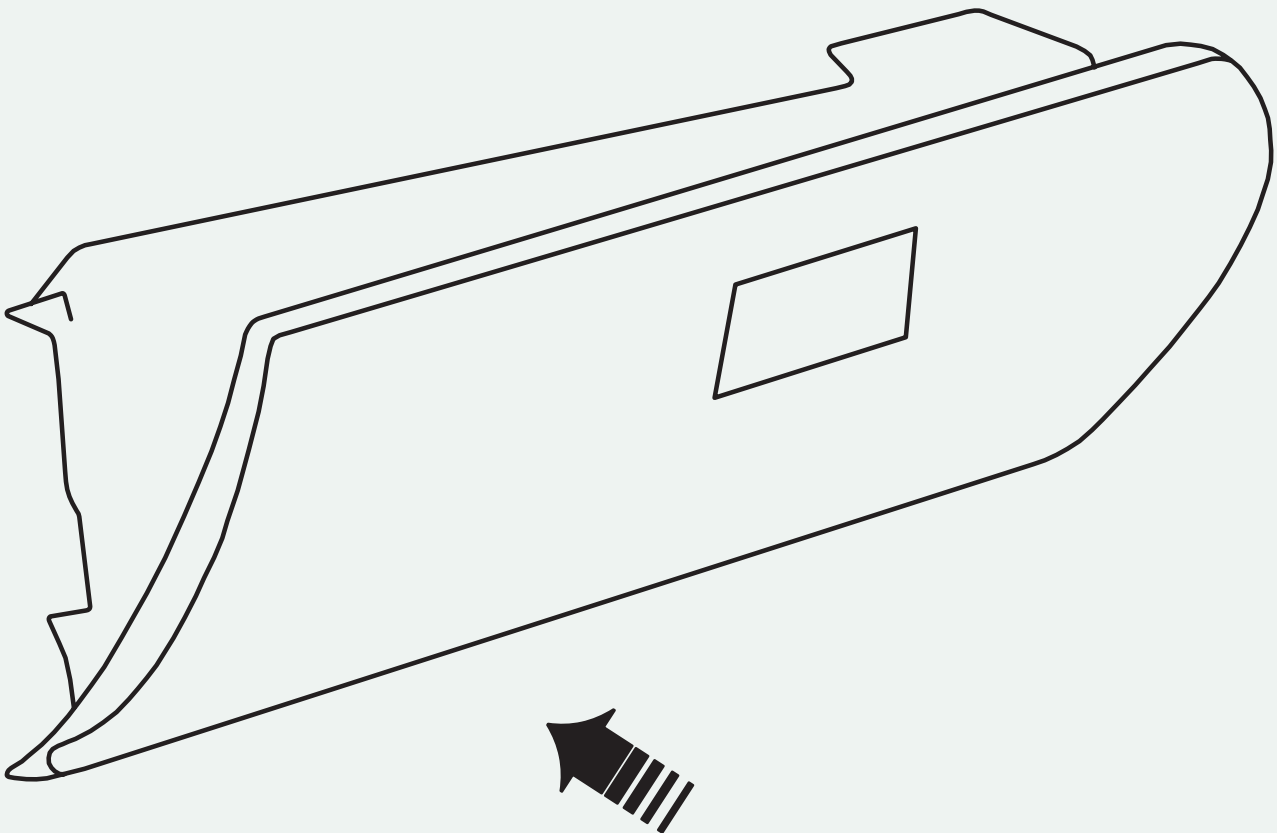


FIGURE 1