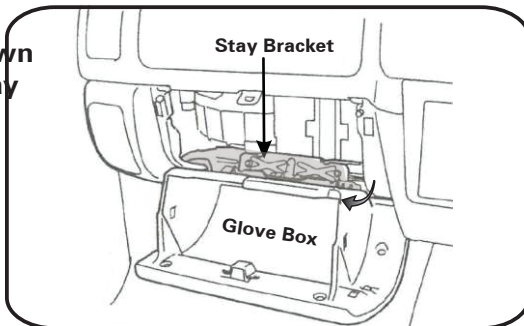
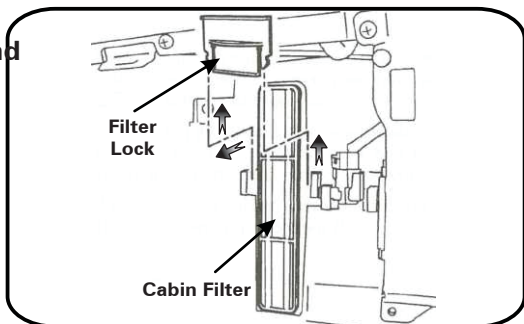


## FITTING INSTRUCTIONS FOR RYCO CABIN FILTER RCA241P MITSUBISHI CHALLENGER OE Pt No: MR227823

1. The cabin air filter is located behind the glove box. Loosen down the glove box and remove the stay bracket as shown. Note: This is a guide to replace genuine Mitsubishi cabin filter (1pc unit) with RYCO RCA241P (2pcs unit). DO NOT need to remove the stay bracket if a 2 pcs cabin filter is pre-fitted on the vehicle.



2. Remove filter lock as shown and pull the old cabin filter outwards from the housing.



3. Push new RYCO filter (2 pcs unit) into filter housing (Ensure the air flow arrows are pointing to left hand side of the vehicle). Refit filter lock, stay bracket and glove box. Dispose of used filter correctly.

