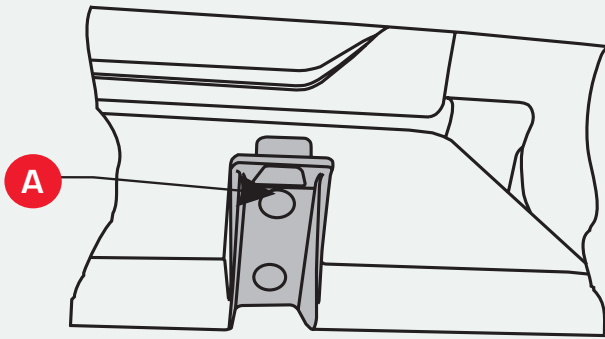


### RCA100M

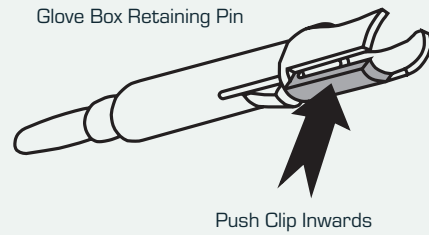
#### FILTER IS LOCATED BEHIND THE GLOVE BOX

All Except Fairlane

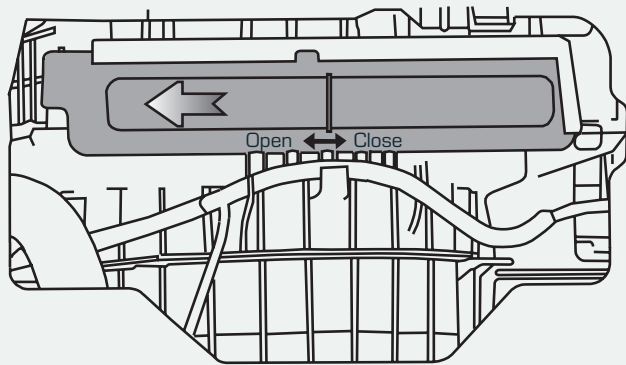


**STEP 1**  
Place finger in channel (top centre of glove box) press down at "A", swing glove box down.

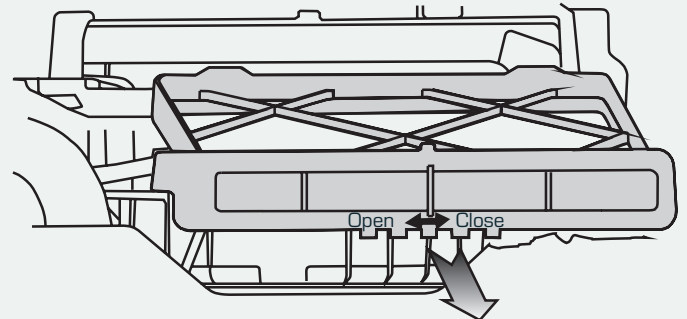
Fairlane Only



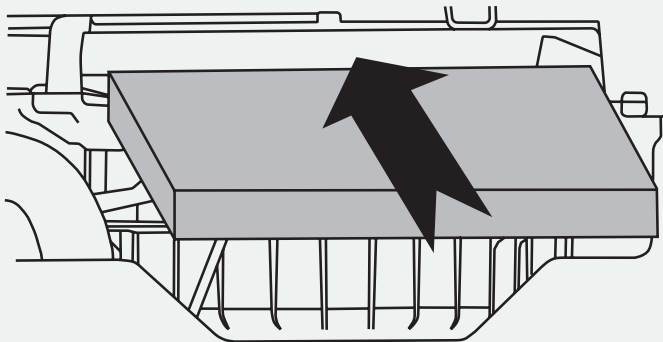
**STEP 1A WARNING:** Fairlane only. Retaining pin must be removed to remove glove box, depress clip as shown and remove. Failure to remove this pin will result in damage to pin.



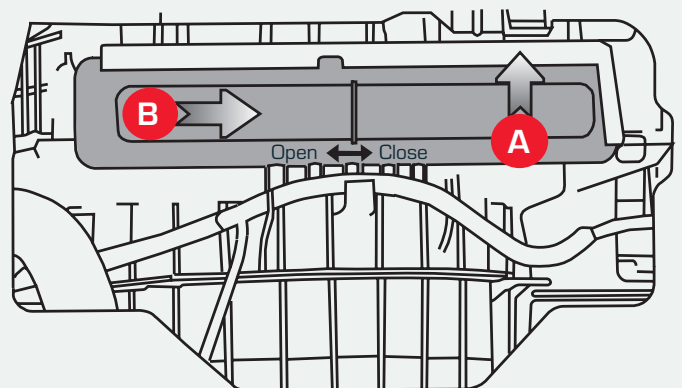
**STEP 2**  
Slide the mesh filter or cover plate to the left to unlock.



**STEP 3**  
Remove mesh filter and discard. or Remove paper filter by pulling gently down and out on removal tab and discard.



**STEP 4**  
Slide the new filter into housing. (Position removal tab to front and on top of filter)



**STEP 5** Install new filter cover in position, insert into the upper slot (direction A) and secure by moving the cover to the right (direction B) if fitting for first time, or use old cover. Refit all previously removed components.