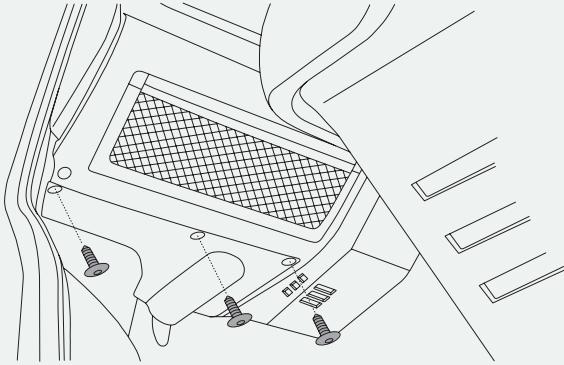
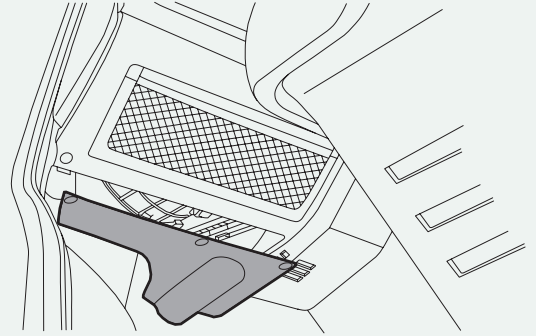


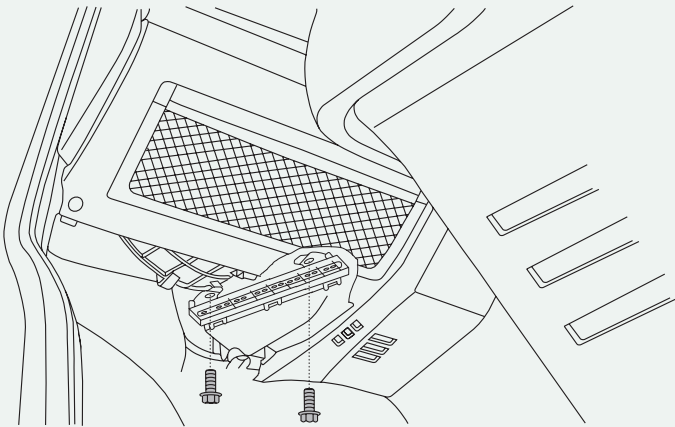
FILTER IS LOCATED BEHIND THE GLOVE BOX



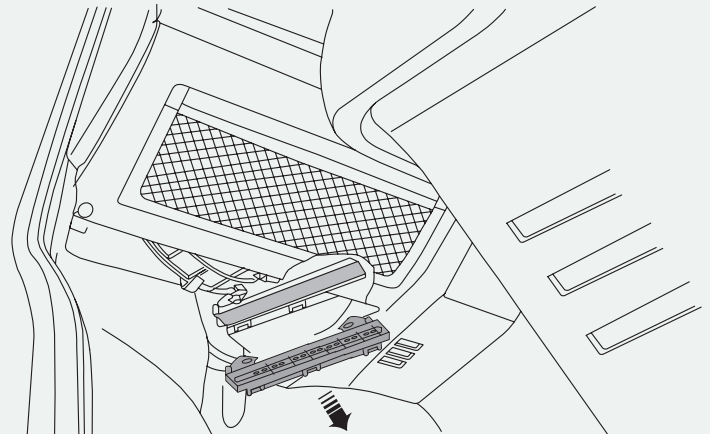
STEP 1
Remove 3 screws as shown.



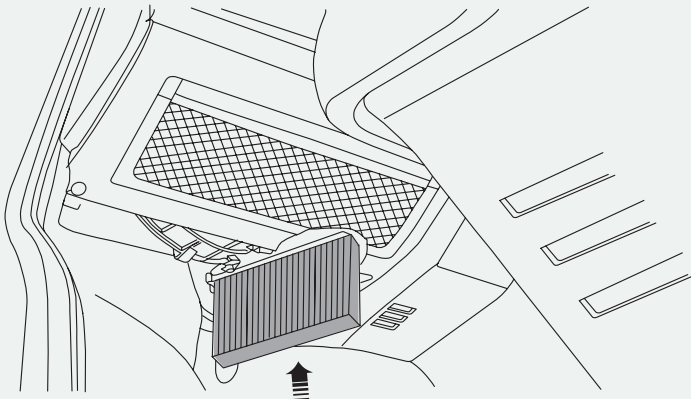
STEP 2
Pull cover down and out to remove



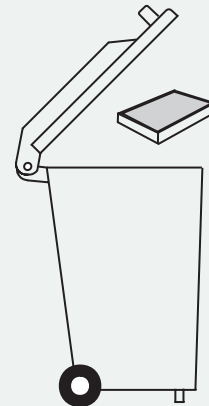
STEP 3
Remove 2 hex headed screws as shown.



STEP 4
Pull filter cover down and out to remove, pull used filter out from housing.



STEP 5
Push new Ryco RCA112M filter into housing.



STEP 6
Refit all previously removed components in reverse sequence.
Dispose of used filter correctly.