

### RCA207M - FORD FOCUS (LS, LT & LV)

#### FILTER IS LOCATED BEHIND THE GLOVE BOX

#### WORK PROCEDURE

- 1 The cabin air filter housing is located in the passenger footwell at the end of the centre console. The main wiring harness tray has to be dropped to gain access.
- 2 For better working space slide the seat back completely and get in the footwell area. Turn the knob in front of the tray to release the tray, pull down and disconnect all connectors and disengage from the rear pivot points. (note: before disconnecting anything make sure you have the radio code, it may be needed).
- 3 Remove the bolts securing the housing lid and slide out the old cabin filter carefully to avoid any accumulated debris spreading around.
- 4 Clean the area and slide in the new cabin air filter making sure it is facing to the right air flow direction and refit all components in reverse order.

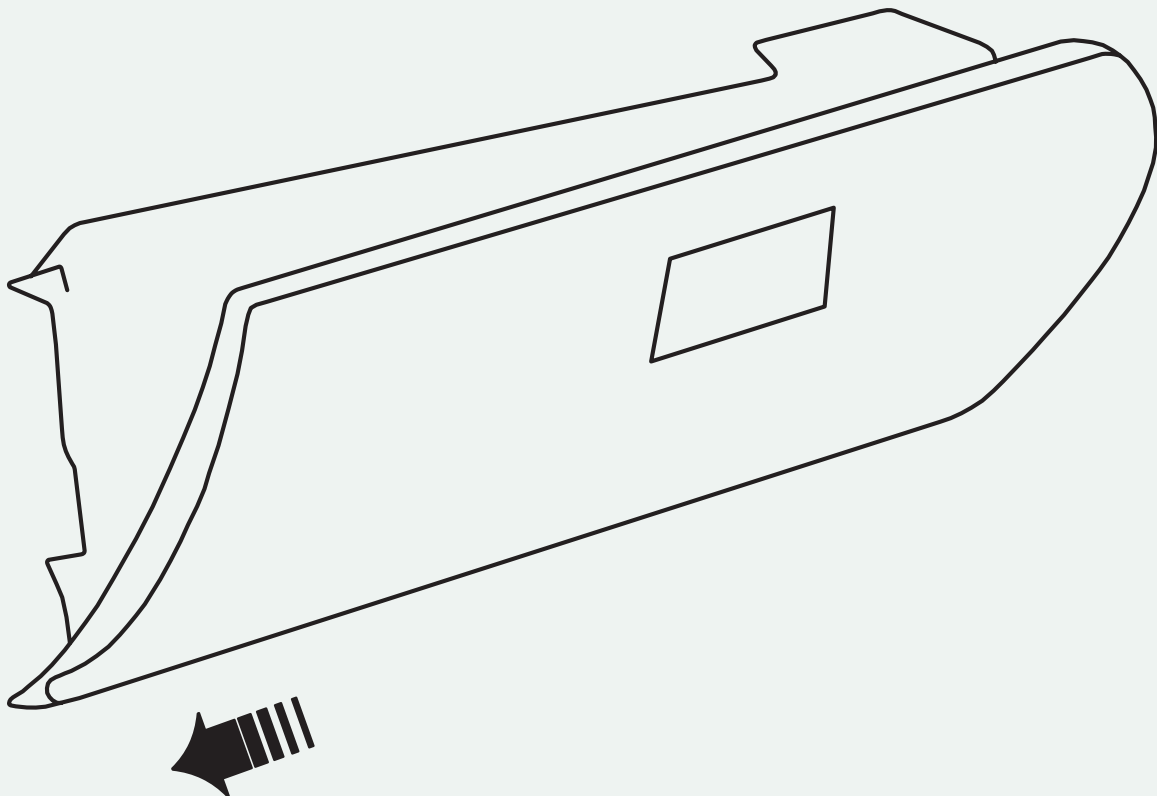


FIGURE 1