

RCA275M - MAZDA CX-5

FILTER IS LOCATED BEHIND THE GLOVE BOX

WORK PROCEDURE

- 1 The cabin air filter is located behind the glove box compartment unit
- 2 Open the glove box and press both top corners inwards to bypass the retaining lugs. Once the lugs are bypassed unhook the strut facing the door allowing the lid to drop completely.
- 3 Remove the cabin air filter housing lid by unclipping it and slide out the old cabin air filter carefully to avoid any accumulated debris from being spread around.
- 4 Slide in the new filter making sure it is facing to the right air flow direction and refit all components in reverse order.

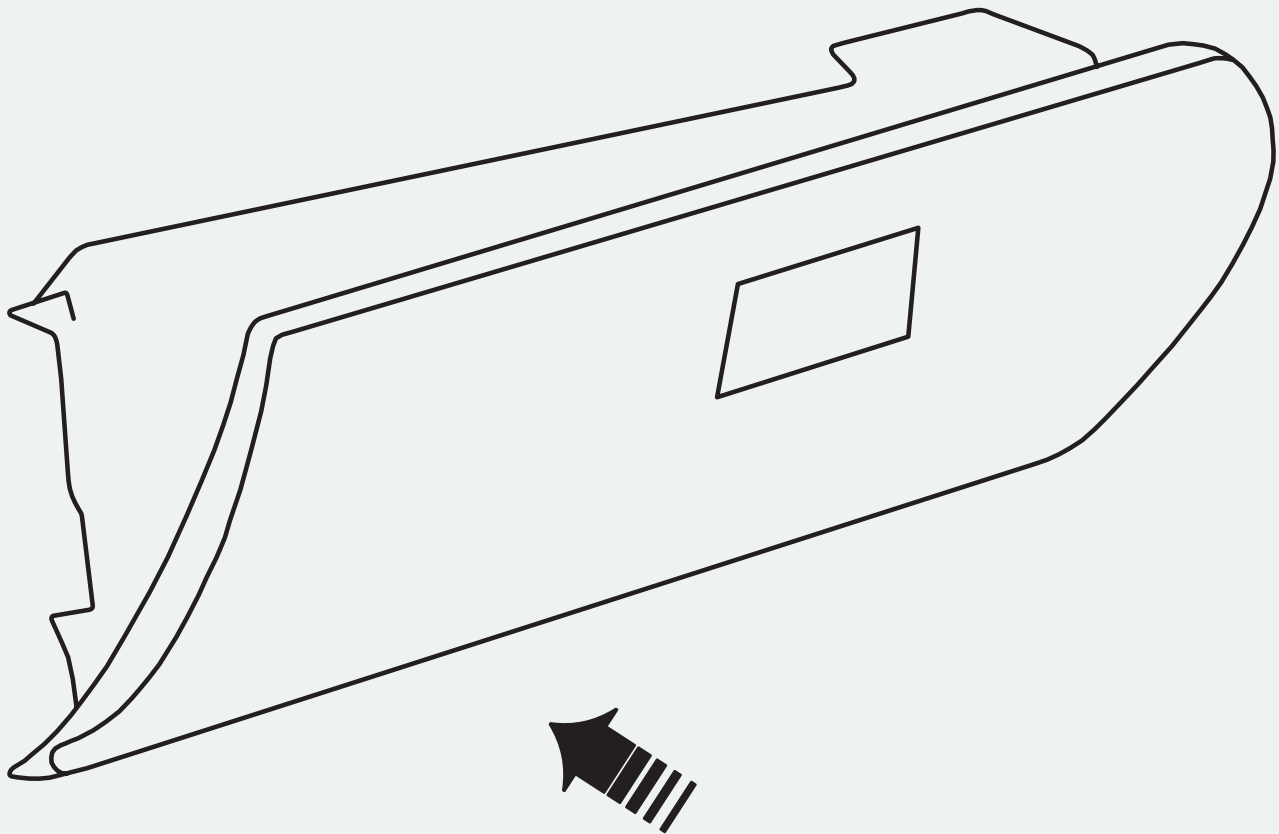


FIGURE 1