

RCA185M KIA RIO JB

FILTER IS LOCATED BEHIND THE GLOVE BOX

WORK PROCEDURE

- 1 Open glove box.
- 2 Remove glove box lid by removing glove box clips as shown.
- 3 Pull filter cover to remove, remove used filter from housing, note flow direction.
- 4 Insert new Ryco RCA185M filter, note flow direction. Re - assemble in reverse sequence.
- 5 Dispose of used filter.

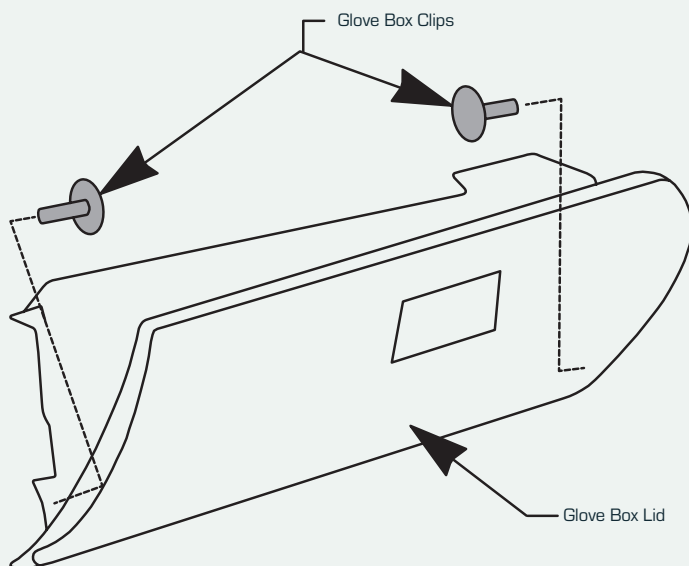


FIGURE 1

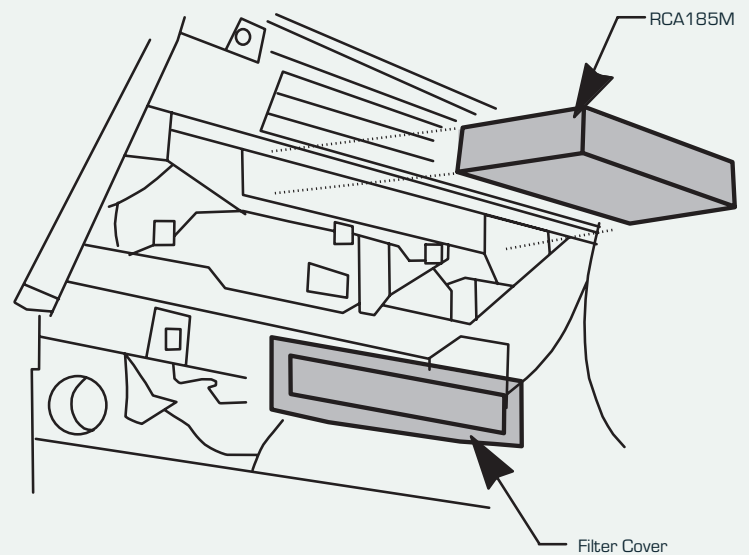


FIGURE 2