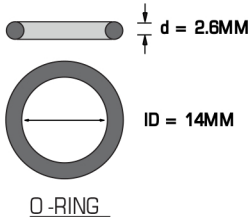
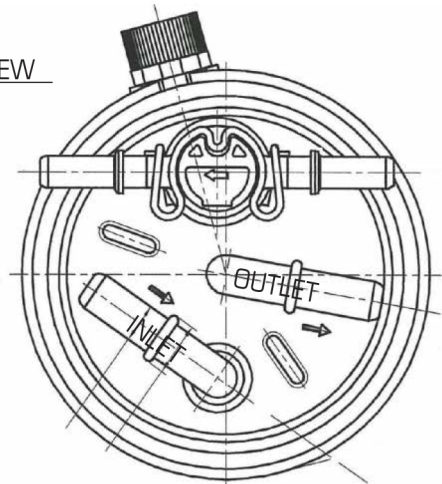
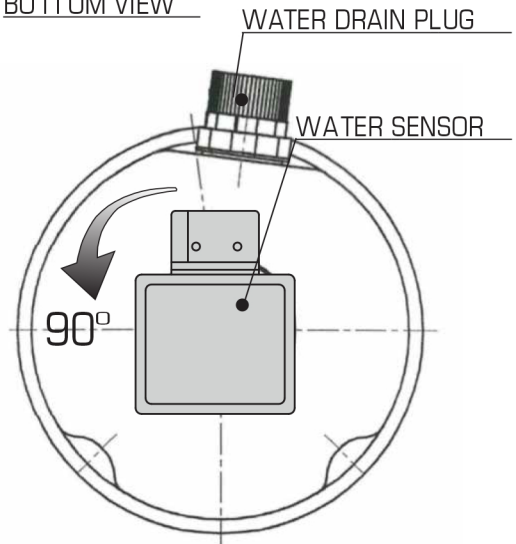


**FITTING INSTRUCTIONS FOR RYCO DIESEL FUEL FILTER Z891
(NISSAN X-TRAIL T31 2L T/D WITH M9R ENGINE)**

TOP VIEW



BOTTOM VIEW



TURN WATER SENSOR 90 DEGREES
COUNTER-CLOCK WISE AND PULL IT
OUT FROM THE OLD FILTER

REPLACE THE O-RING IN Z891 BOX &
CAREFULLY PLUG WATER SENSOR
TO THE SOCKET OF RYCO FILTER
AND REFIT ALL FUEL PIPES. CHECK
FOR LEAKS.

