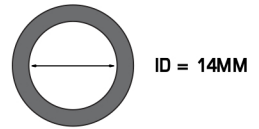
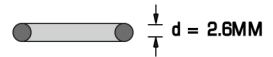
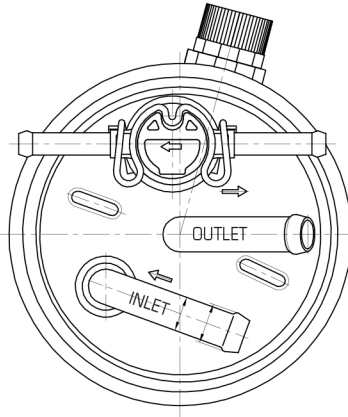


FITTING INSTRUCTIONS FOR RYCO FUEL FILTERS Z711.
(NISSAN NAVARA 2.5L DIESEL, YD25 ENGINE)

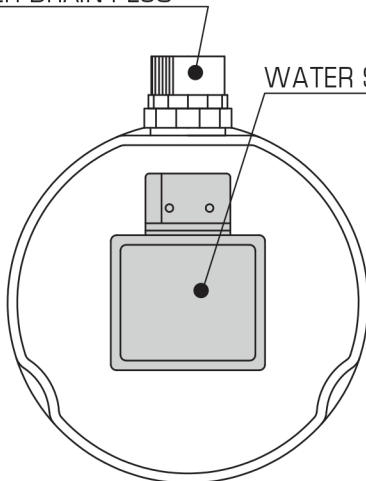
TOP VIEW



O-RING

BOTTOM VIEW

WATER DRAIN PLUG



WATER SENSING UNIT

ROTATE WATER SENSING UNIT 90°
ANTI-CLOCKWISE AND CAREFULLY
PULL OUT AND REMOVE FROM THE
OLD FILTER.

REPLACE THE O-RING IN Z711 BOX
AND CHECK WATER LEAKAGE.



AUSTRALIA
GUD Automotive Pty Ltd
29 Taras Avenue, Altona North
Victoria 3025 Australia.
www.rycofilters.com.au

NEW ZEALAND
GUD Automotive - A division of GUD (NZ) Holdings Limited
626A Rosebank Road Avondale
Auckland, New Zealand
www.ryco.co.nz

SOCIAL NETWORKS
Facebook: <http://facebook.com/rycofilters>
YouTube: <http://youtube.com/rycofilters1>
Twitter: http://twitter.com/Ryco_Filters