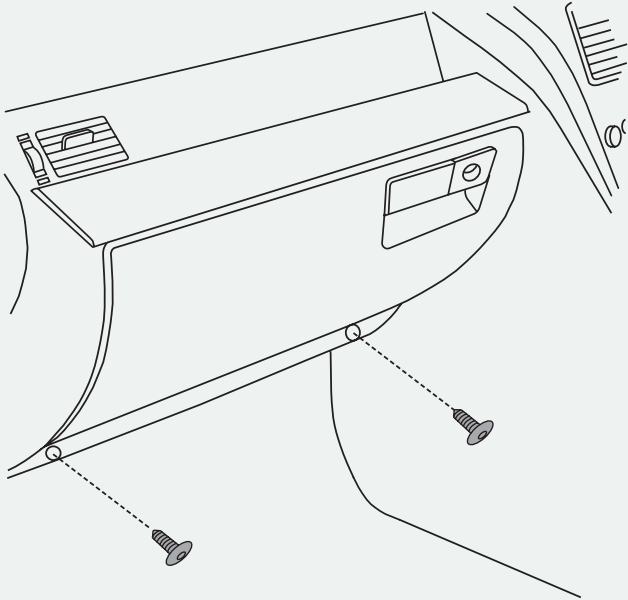


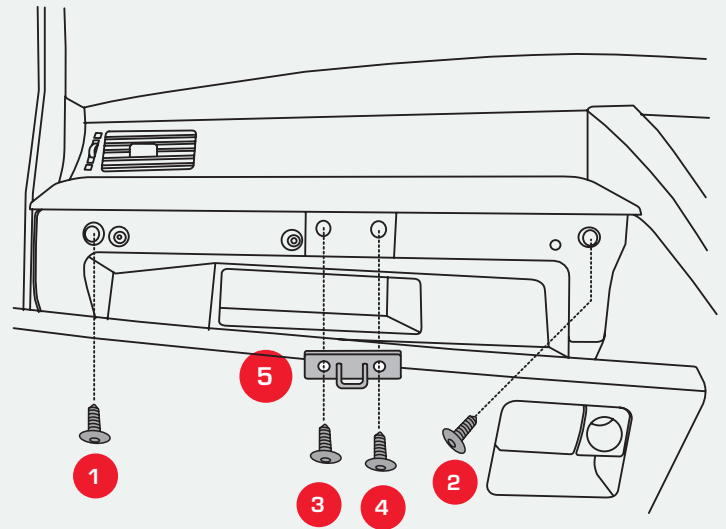
NISSAN MAXIMA AND MURANO

FILTER IS LOCATED BEHIND THE GLOVE BOX



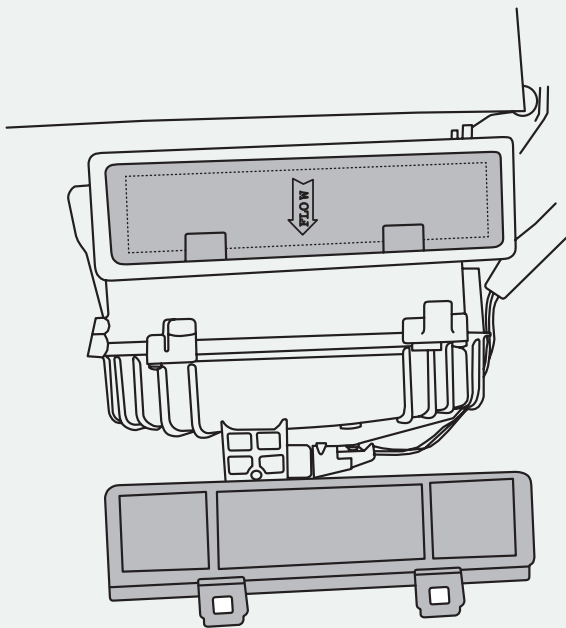
STEP 1

Undo the two screws at bottom of glove box as shown.



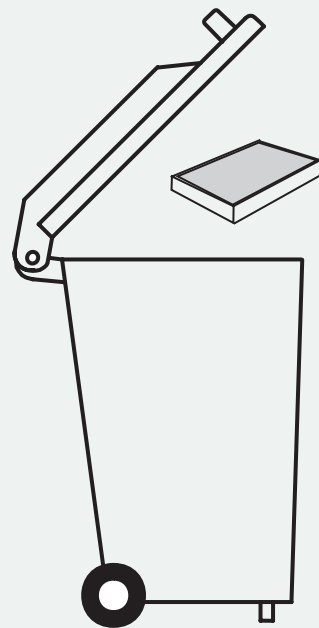
STEP 2

Open glove box, and undo the four screws at top of glove box as shown, screws 3 & 4 retain staple (5) for glove box lock, lower glove box to access filter housing, disconnect glove box light from back of glove box.



STEP 3

Unclip filter cover and remove, pull used filter out of housing and replace with new Ryco filter.



STEP 4

Refit all previously removed parts, dispose of dirty filter.

NISSAN X-TRAIL

FILTER IS LOCATED BEHIND THE GLOVE BOX

- 1 Remove glove box lid by levering hinge pins out as shown.
- 2 Remove filter cover, remove used filter.
- 3 Insert new Ryco filter with flow arrow up.
- 4 Dispose of used filter correctly.

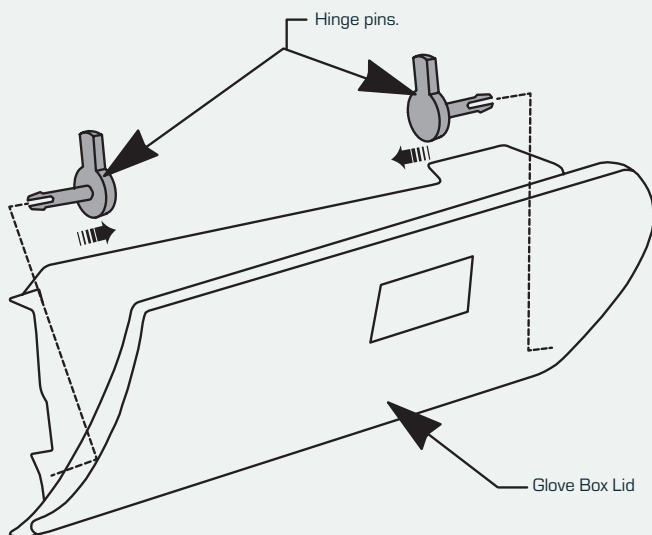


FIGURE 1

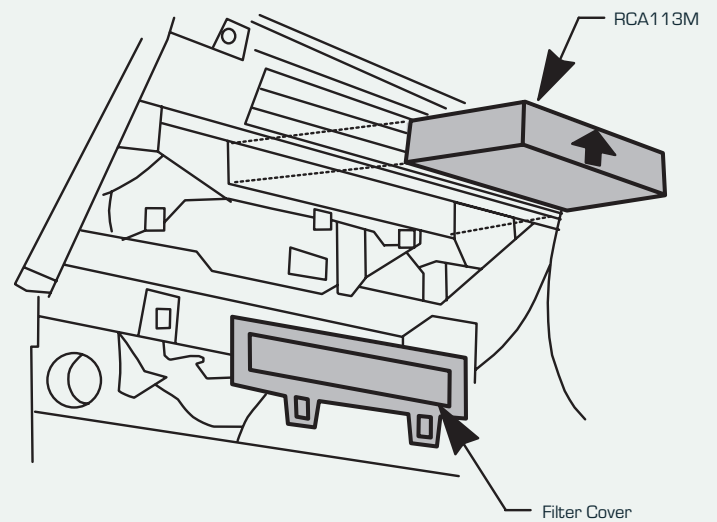


FIGURE 2



NISSAN PULSAR

FILTER IS LOCATED BEHIND THE GLOVE BOX

- 1 Open glove box, remove hinge pins by levering out as shown, remove glove box.
- 2 Remove filter cover, remove used filter.
- 3 Insert new Ryco filter with flow arrow up.
- 4 Dispose of used filter correctly.

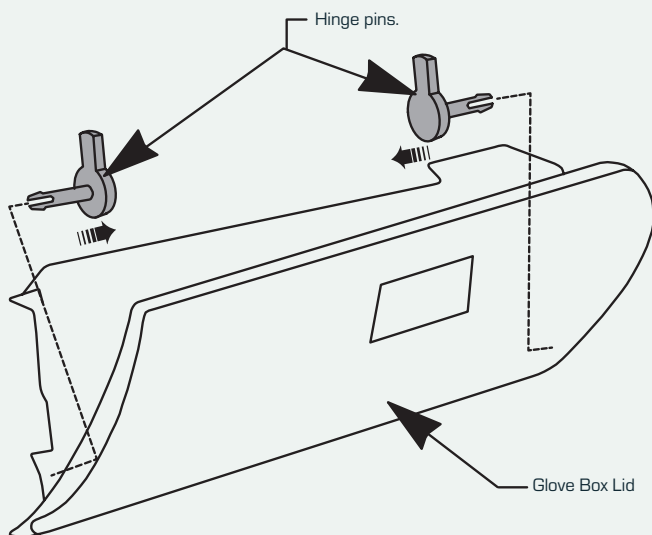


FIGURE 1

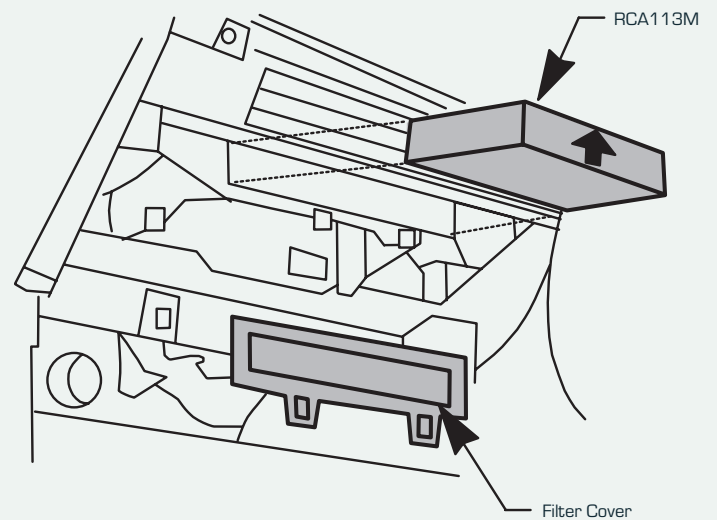


FIGURE 2